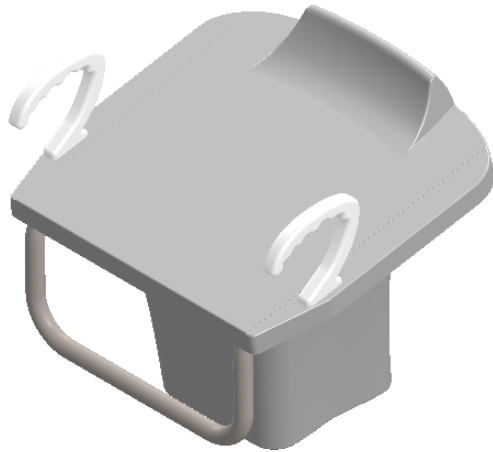
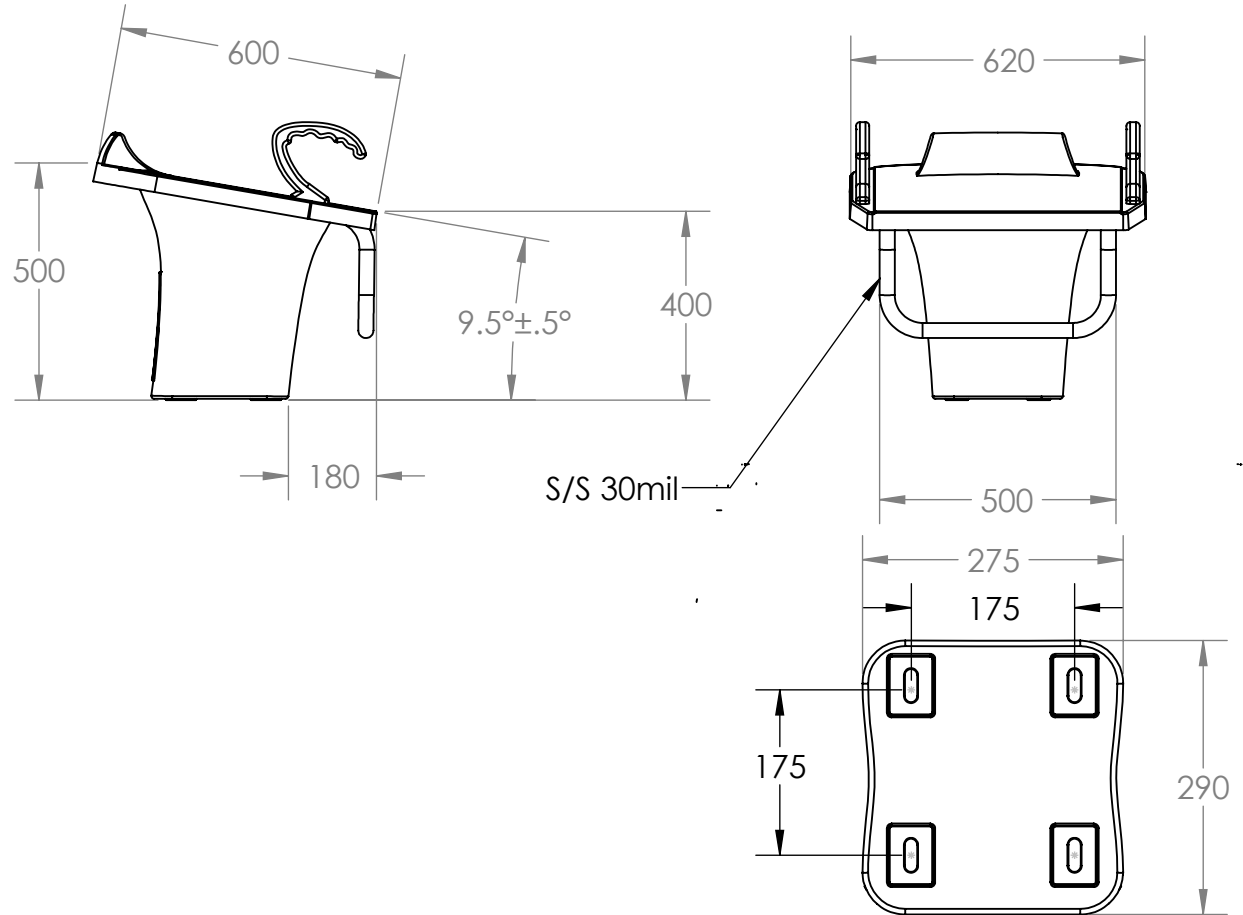


Anti Wave 600 Starting Block




SCALE 1 : 12



BOTTOM VIEW
SCALE 1:8

Models	Model Kits
25-61-060T	STARTING BLOCK ANTI 600 W/ fixed TRACK START & SSH w/ 4 Anchor Plugs
25-61-060R	STARTING BLOCK ANTI 600 - REMOVABLE - fixed track start & SSH w/ Qwik Anchor

PART #: 25-61-060	DESCRIPTION: 600 Starting Block	NAME	SIGNATURE	DATE	WEIGHT:	 Serious Equipment - Serious Fun - Access for All SRS Australia PTY LTD 12 Enterprise Street, Richlands QLD 4077 P +61 7 3812 2283 F +61 7 3812 1187
		DRAWN OEH			MATERIAL:	
UNLESS OTHERWISE SPECIFIED: DIMENSIONS ARE IN MILLIMETERS SURFACE FINISH: TOLERANCES: +- 3MIL LINEAR: ANGULAR: +- 1	Proprietary and Confidential: The information contained in this specification is the sole property of SRS AUSTRALIA PTY LTD. Any reproduction in part or whole without the written consent of SRS AUSTRALIA PTY LTD is prohibited.	CHK'D			DWG NO. 25-61-060	©SRS AUSTRALIA PTY LTD SCALE:1:16 SHEET 1 OF 1 A4
		APP'VD				
		MFG				
	DO NOT SCALE DRAWING	REVISION A2				