

DISPLAY	DIM. A		DIM. B		DIM. C		DIM. D		DIM. E		HANGING WEIGHT	
MS-0140	42.00"	1.067m	48.00"	1.219m	4.25"	0.108m	7.00"	0.178m	44.50"	1.130m	50 LBS	23 KG
MS-0108, MS-0111, MS-0112, MS-0141	56.00"	1.422m	48.00"	1.219m	4.25"	0.108m	7.00"	0.178m	58.50"	1.486m	60 LBS	27 KG
MS-0109, MS-0113, MS-0142	70.00"	1.778m	48.00"	1.219m	4.25"	0.108m	7.00"	0.178m	72.50"	1.842m	70 LBS	32 KG
MS-0110	84.00"	2.134m	48.00"	1.219m	4.25"	0.108m	7.00"	0.178m	86.50"	2.197m	80 LBS	36 KG

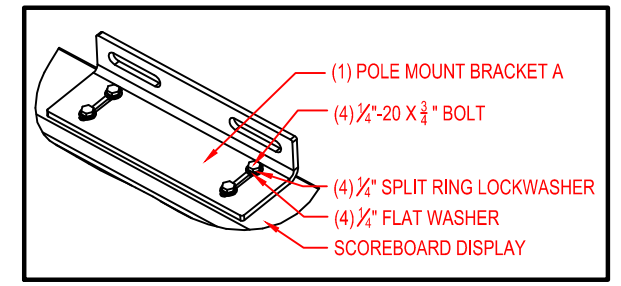
DISPLAY	MAX POWER CONSUMPTION
MS-0108	200 W
MS-0109	250 W
MS-0110	280 W
MS-0111	120 W
MS-0112	150 W
MS-0113	170 W
MS-0140	100 W
MS-0141	120 W
MS-0142	140 W

**NOTES:**

- POWER AND DATA CABLES MUST BE ROUTED IN SEPARATE CONDUIT
- CTS SUGGESTS 3/4" CONDUIT FOR ALL BURIED CABLE
- THE DISPLAY IS EQUIPPED WITH A 14' POWER CABLE WITH A NEMA 5-15R PLUG. NOTE THE EXIT LOCATION IS ON THE BOTTOM OF THE DISPLAY. THIS CABLE IS ONLY TO BE USED IN EITHER INDOOR APPLICATIONS OR OUTDOOR APPLICATIONS IN CONJUNCTION WITH AN OUTDOOR RATED RECEPTACLE. POWER CABLE CAN BE REROUTED TO EXIT THE REAR OF THE DISPLAY BY A CERTIFIED ELECTRICIAN.
- IF USING WIRED DATA, TERMINATE DATA CONDUIT TO JUNCTION BOX NEAR DATA JACK LOCATION
- SCOREBOARD DOES NOT INCLUDE ON/OFF POWER SWITCH. INSTALL OPTIONAL SWITCH/DISCONNECT FOR ABILITY TO TURN SCOREBOARD ON/OFF IF NEEDED OR DESIRED
- ALL ATTACHMENT HARDWARE TO BE ORDERED SEPARATELY
- CTS ASSUMES NO RESPONSIBILITY FOR INSTALLATIONS DONE BY OTHERS
- THIS SIGN IS INTENDED TO BE INSTALLED IN ACCORDANCE WITH THE REQUIREMENTS OF ARTICLE 600 OF THE NATIONAL ELECTRIC CODE AND/OR OTHER APPLICABLE CODES. THIS INCLUDES PROPER GROUNDING AND BONDING OF THE SCOREBOARD

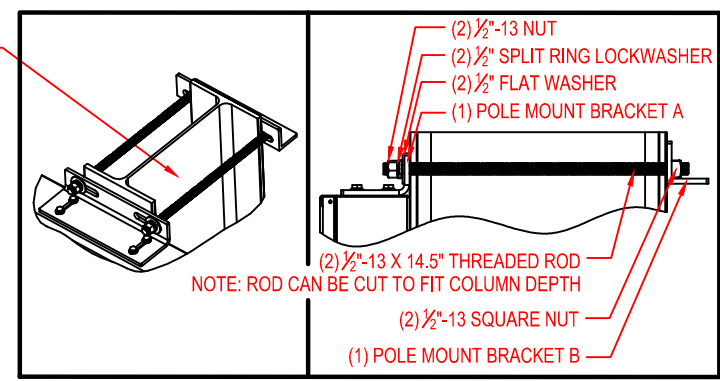
**INSTALLATION PROCEDURE:**

1. ATTACH (2) POLE MOUNT BRACKET A PIECES TO SCOREBOARD IN TOP AND BOTTOM LOCATIONS SHOWN, USING 1/4" HARDWARE



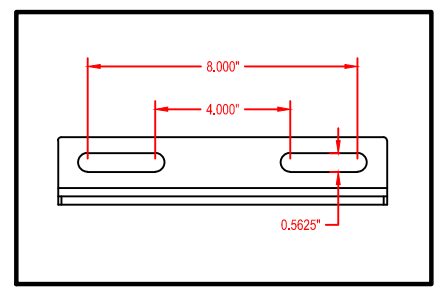
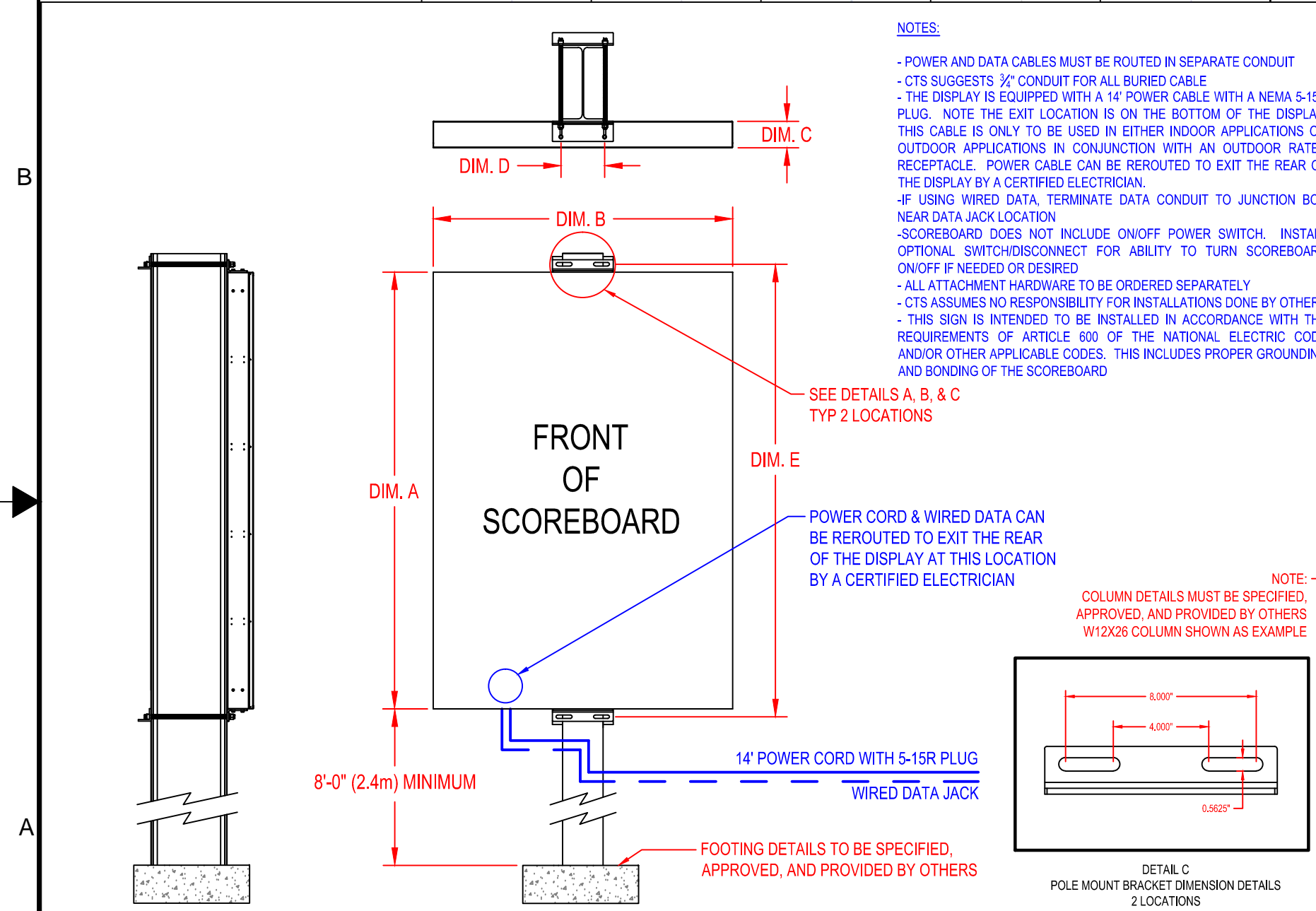
DETAIL A  
POLE MOUNT BRACKET A- SCOREBOARD ATTACHMENT  
2 LOCATIONS

2. LOOSELY SECURE DISPLAY TO STRUCTURE BY ATTACHING POLE MOUNT BRACKET B TO POLE MOUNT BRACKET A, USING 1/2" HARDWARE



DETAIL B  
POLE MOUNT BRACKET A- POLE MOUNT BRACKET B ATTACHMENT  
2 LOCATIONS

3. SLIDE DISPLAY TO DESIRED HEIGHT, AND TIGHTEN HARDWARE TO SECURE THE ATTACHMENT



DETAIL C  
POLE MOUNT BRACKET DIMENSION DETAILS  
2 LOCATIONS

REV	DESCRIPTION	DATE	APP
A3	ADD POWER SWITCH INFO	11/21/14	PJS

**REVISIONS**

THIRD ANGLE PROJECTION

**TRADE SECRET**

The information and data contained herein is secret and is submitted in confidence, and shall not be disclosed, used, or duplicated for any purpose whatsoever without the prior written permission of Colorado Time Systems, Inc., 1551 E. 11th Street, Loveland Colorado, 80537. This legend shall be marked on any reproduction hereof in whole or in part. Receipt of this document shall be deemed to be an acceptance of the conditions specified herein.

THE INFORMATION ON THIS DRAWING IS SUBJECT TO CHANGE WITHOUT NOTICE

DIMENSIONS ARE REPRESENTED AS FOLLOWS: INCH (MM)		DRAWN BY	DATE
TOLERANCES EXCEPT AS NOTED		P.SCHIEL	11/18/13
INCHES	MM	ENG. APPROVAL	DATE
X ± 0.02	X ±		
ANGLES ± 1		PROJECT ENG.	DATE
DO NOT SCALE THIS DRAWING			
SCALE	NTS	SHEET 1 OF 1	

TITLE	
5" MULTI-LINE SINGLE POLE MOUNT INSTALL DETAILS	

**WWW.COLORADOTIME.COM**

**Colorado TIME SYSTEMS.**

1551 E. 11th. St.  
Loveland, CO 80537  
P: (970) 667-1000  
F: (970) 667-5876  
WWW.COLORADOTIME.COM

SIZE **B** DRAWING NUMBER **S2013-001-054** REV. **A3**