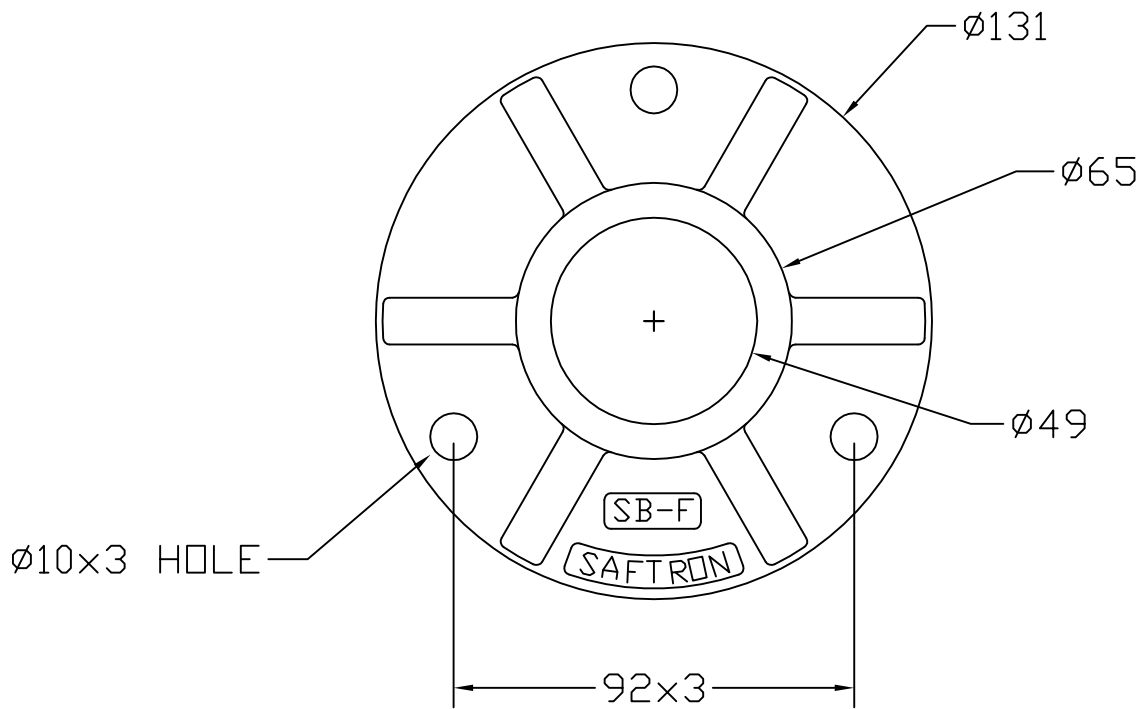
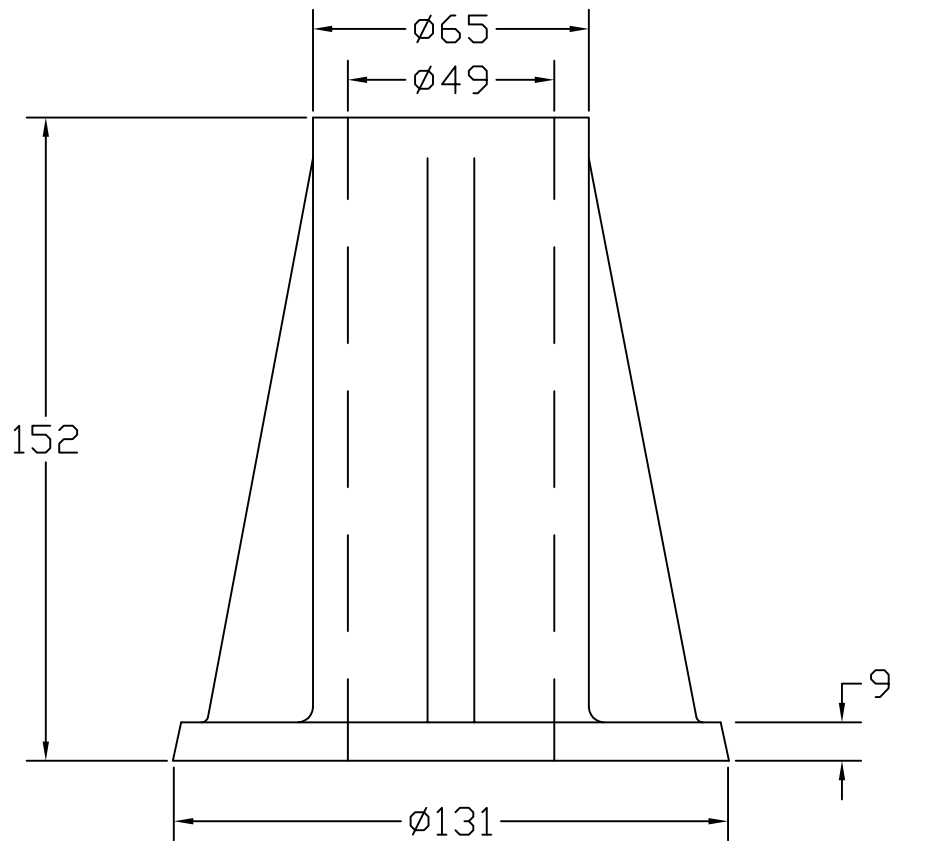


SB-F HARDWARE

SĀFTRON MANUFACTURING



ALL DIMENSIONS ARE IN mm

SĀFTRON BY AQUATIC ELEMENTS

Aquatic Elements P/L
2 Hayter Street
Currumbin QLD 4223
Phone: 07-5534 3136 | Fax: 07-3259-8519
Website: www.aquaticelements.com.au

SERIES: SB-F SURFACE MOUNT BASE

PREPARED BY: MATT FLUEHMANN

APPROVED BY:

PROJECT :

QTY:

COLOR:

ISSUED : 11/01/2017

SCALE : NTS

DRAW. NO. **SB-F BASE**