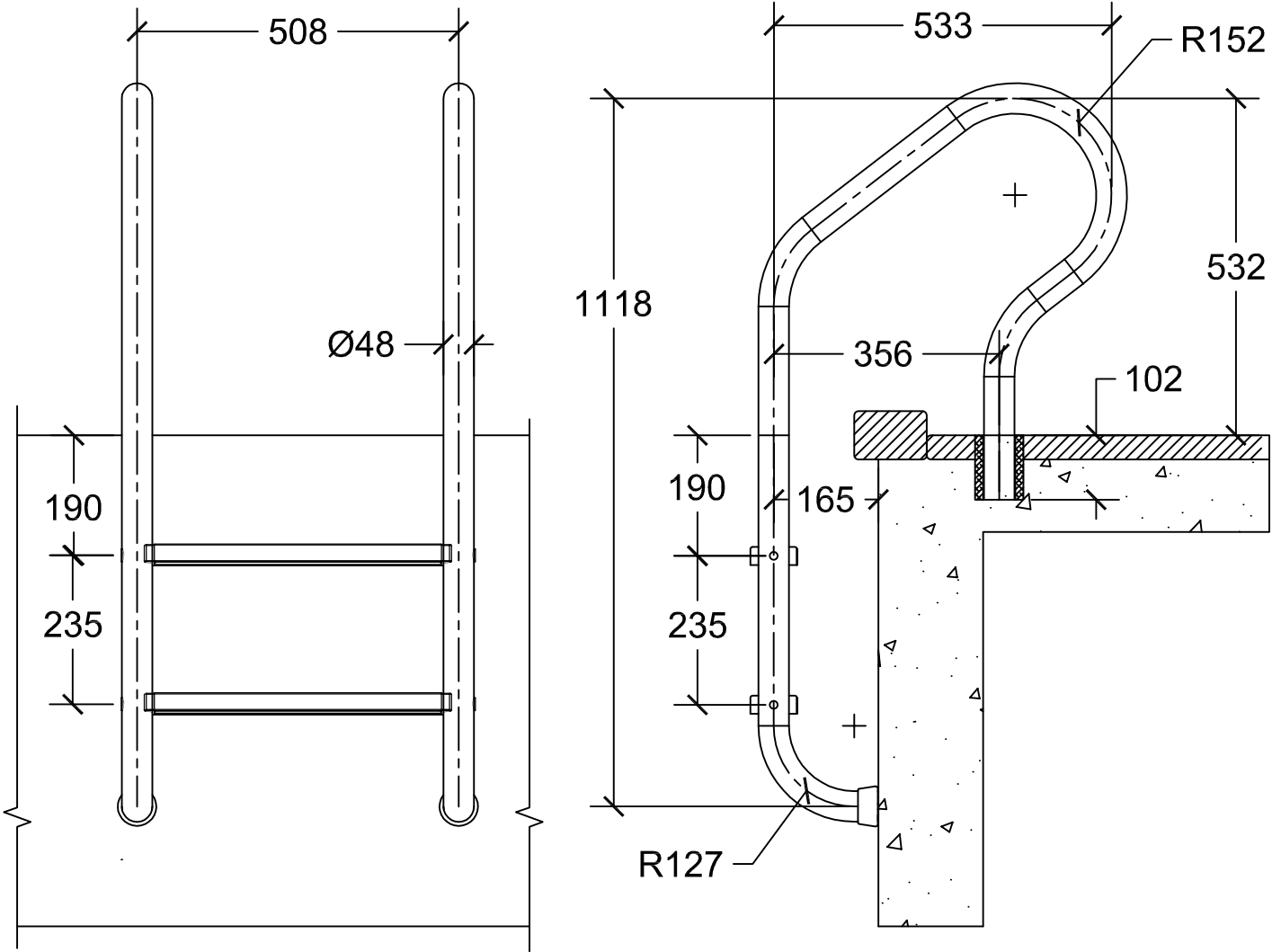


# P-421-LP2 POOL LADDERS

SÄFTRON POOLS AND SAFETY RAILS



ALL DIMENSIONS ARE IN mm

SÄFTRON BY AQUATIC ELEMENTS

**Aquatic Elements P/L**

2 Hayter Street

Currumbin QLD 4223

Phone: 07-5534 3136 | Fax: 07-3259-8519

Website: [www.aquaticelements.com.au](http://www.aquaticelements.com.au)

**SERIES: P-421-LP2**

**PREPARED BY: MATT FLUEHMANN**

**APPROVED BY:**

**PROJECT :**

QTY:

COLOR:

ISSUED : 10/31/2017

SCALE : NTS

DRAW. NO. P-421-LP2

t:\sot\tron\cad files\cad copy 070331\070331\070331\070331\pool rails\pool ladders\p-421-lp2.dwg