



STARTING BLOCKS

BACKSTROKE POLES

FALSE START POLES

BACKSTROKE FLAGS

PARTS & ACCESSORIES

# STARTING BLOCKS AND RACING

# VELOCITY ADVANTAGE STARTING BLOCK



## Elite competition platform

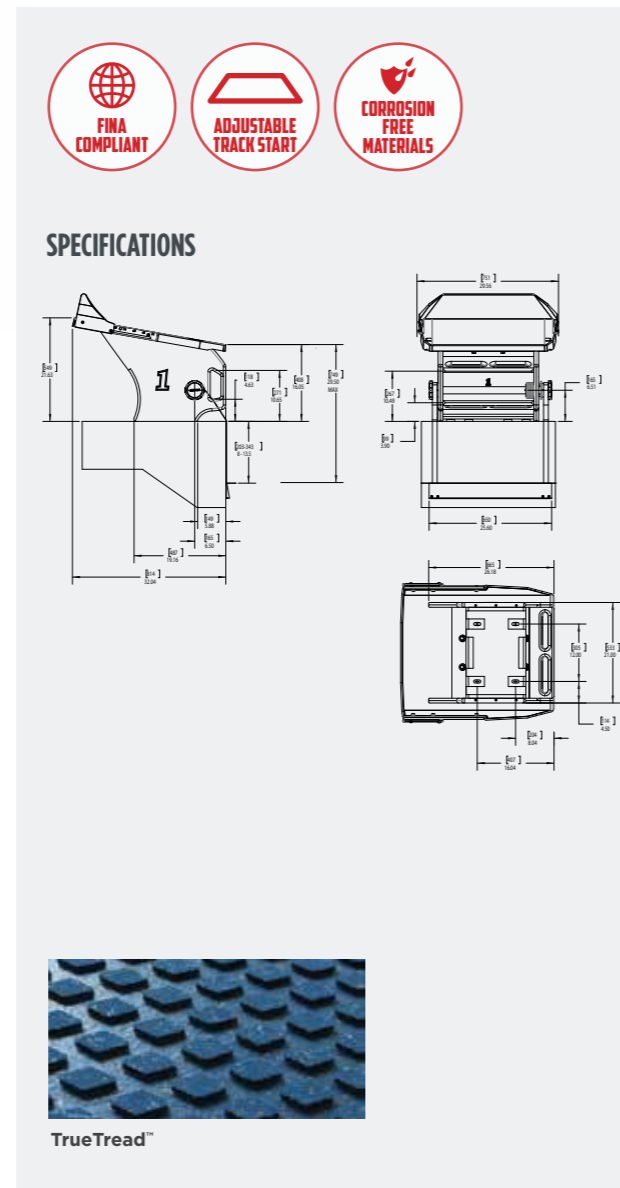
Designed for fast, solid starts, the Velocity Advantage starting blocks feature strong fiberglass footboards with track start wedge on an HDPE composite base.

- Easily mounts to pool decks or bulkheads with minimal drilling
- 41cm height makes it well suited for bulkheads and end walls with 20cm - 42cm deck to water heights
- The 71cm x 81cm footboard surface is available with TrueTread™
- Track start wedge, adjustable to 5 positions, easily tucks under the footboard
- Patent pending integral backstroke start ledge is adjustable to five positions in accordance with FINA standards
- Three built in backstroke handholds - two center positions and one on each side
- Compatible with Colorado and Daktronic timing systems

+ "No Dive" & Solarguard covers available

### Velocity Starting Block

Model/Item No.	Description	SHIPPING			
		Weight	Length	Width	Height
VELO-ADV-BK-T	Velocity Advantage with TrueTread™	53kg	940mm	860mm	710mm



# VELOCITY STARTING BLOCK



## Elite competition platform

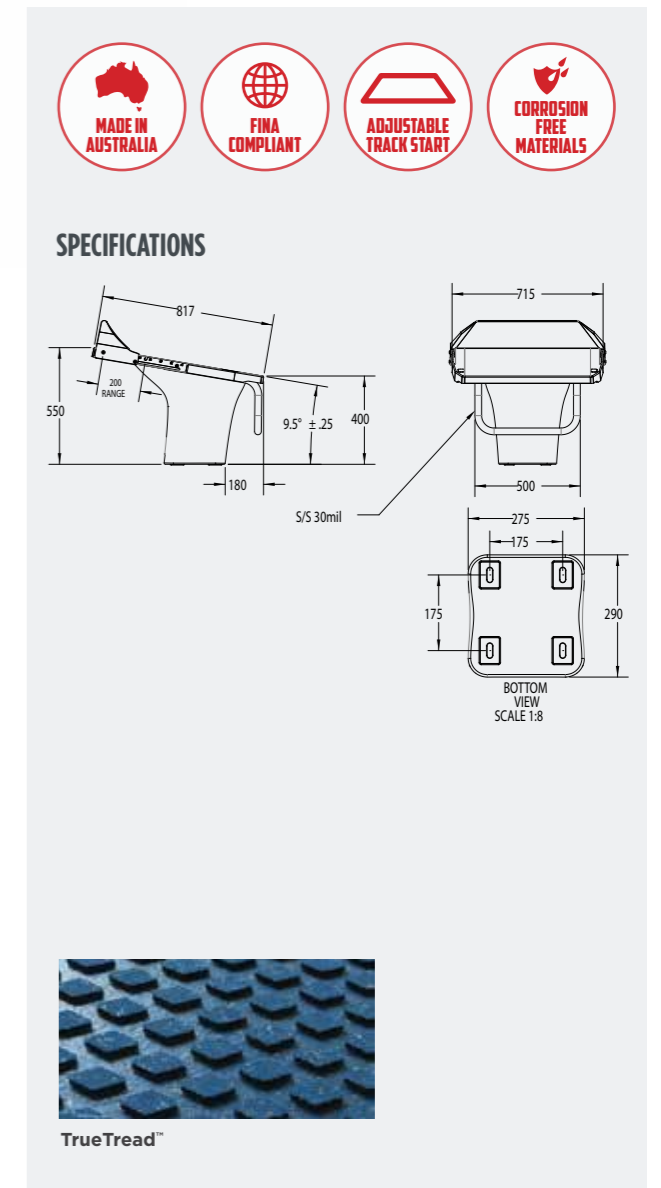
The Velocity Starting Block is an elite competition platform with a track start, adjustable to 5 positions. Fiberglass construction with 316 SS fittings. Chem set anchors are included. The track start wedge can tuck beneath the footboard.

- Corrosion free fiberglass construction
- Durable, non-slip TrueTread™
- Compatible with Colorado and Daktronic timing systems
- Anchor hole placement matches Anti Wave 650 and 600 blocks
- Internal earthing wire included to allow for bonding requirements
- FINA compliant (FR2.7)

+ "No Dive" & Solarguard covers available

### Velocity Starting Block

Model/Item No.	Description	SHIPPING			
		Weight	Length	Width	Height
25-61-820A	Velocity with adjustable track start	29kg	1100mm	770mm	720mm



# 650 LAUNCH STARTING BLOCK



Block shown with optional coated backstroke handle

## Competition platform

The Anti Wave 650 Launch block design has an updated look and functionality, with a TrueTread™ surface that is recessed and extends over the front of the block. The track start wedge can tuck beneath the footboard.

- Durable, non-slip TrueTread™
- Fibreglass construction with 316 SS fittings
- Track start with longer range is adjustable to 5 positions, and tucks away for relay starts
- Standard & quick release anchor systems
- Internal earthing wire included to allow for bonding requirements
- FINA compliant (FR2.7)

+ "No Dive" & Solarguard covers available



TrueTread™

## Anti Wave 650 Launch Starting Block

Model/Item No.	Description	SHIPPING			
		Weight	Length	Width	Height
25-61-065T	Anti Wave 650 w/adjustable track start	21kg	620mm	690mm	690mm
25-61-065R	Anti Wave 650 w/adjustable track start & QR anchor	23kg	620mm	690mm	690mm

MADE IN AUSTRALIA

FINA COMPLIANT

ADJUSTABLE TRACK START

CORROSION FREE MATERIALS

### SPECIFICATIONS

#### 650 Launch with Standard Anchor

#### 650 Launch with Quick Release Anchor

Removable Anchor Pin

Concrete Anchor

PROFILE SECTION ILLUSTRATES REMOVABLE ANCHOR

Rubber Foot Pad

# 600 STARTING BLOCK



## Entry-level platform

The Anti Wave 600 features a fixed track start wedge moulded into the non-slip composite platform. Ideal for use in junior swim clubs and for social swimmers.

- Durable, non-slip tread
- Fibreglass construction with 316 SS fittings
- Fixed track start
- Standard & quick release anchor systems
- Internal earthing wire included to allow for bonding requirements

+ "No Dive" & Solarguard covers available

## Anti Wave 600 Launch Starting Block

Model/Item No.	Description	SHIPPING			
		Weight	Length	Width	Height
25-61-060T	Anti Wave 600 with fixed track start	20.5kg	620mm	690mm	690mm
25-61-060R	Anti Wave 600 with fixed track start & QR anchor	23.2kg	620mm	690mm	690mm

MADE IN AUSTRALIA

FINA COMPLIANT

CORROSION FREE MATERIALS

### SPECIFICATIONS

#### 600 with Standard Anchor

#### 600 with Quick Release Anchor

Removable Anchor Pin

Concrete Anchor

PROFILE SECTION ILLUSTRATES REMOVABLE ANCHOR

Rubber Foot Pad

# LR850 LONG REACH STARTING BLOCKS



## Removable platform with long reach base

Long Reach Starting Blocks are designed with an 850mm setback and 700mm height, allowing the platform to reach over grating channels and eliminate the requirement for a raised endwall. Available with 3 platform configurations including an elite competition platform with track start adjustable to 5 positions. The track start wedge can tuck away at the rear of the footboard.

- Fibreglass construction with 316 SS fittings
- Track start is adjustable to 5 positions, and tucks away for relay starts (excludes 600 platform)
- Available in 3 platform models
- FINA compliant (FR 2.7)
- Base: High grade 316 SS with mirror finish
  - 850mm setback from pool edge
  - Includes locking deck anchor
  - Non-slip side step
  - Custom coatings available

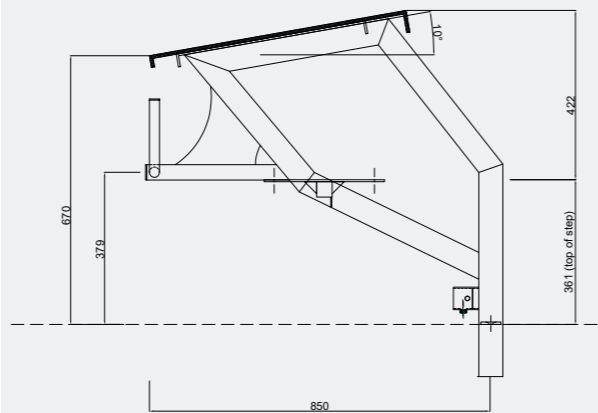
+ "No Dive" & Solarguard covers available

## Removable Long Reach Starting Blocks

Model/Item No.	Description	SHIPPING			
		Weight	Length	Width	Height
VELO-LR850R	Velocity LR 850 (Removable Long Reach)	39kg	1300mm	1050mm	630mm
650L-LR850R	650 Launch LR 850 (Removable Long Reach)	43kg	1300mm	1050mm	630mm
600-LR850R	600 LR 850 (Removable Long Reach)	43kg	1300mm	1050mm	630mm



## BASE DIMENSIONS



## CUSTOM OPTIONS AVAILABLE

- Round post tubing
- Custom colour coatings
- Rear step



TrueTread™

# LONG REACH STARTING BLOCK TURN PANEL



## Long Reach Starting Block Turn Panel

The long Reach block Turn Panel attaches to the starting block base and creates a non-slip endwall for tumble turns. Vertical adjustments can be made to accommodate the fall of the pool and optional attachment points are available for timing pads. The turn panel can be easily removed from the socket and stored when not in use. Available in two sizes: 2m & 2.4m width.

- Suitable for LR850 starting block bases
- 316 stainless steel with non-slip replaceable grating
- No additional core drilling & deck sockets required
- No additional earthing (single earthing point in block anchor)
- Adjustable foot removes any up or down movement
- Adjustable front panel accommodates fall of pool deck

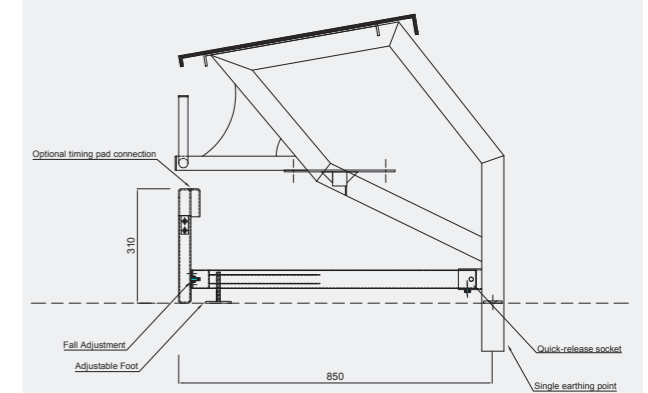
+ Optional timing pad brackets available

## Long Reach Starting Block Turn Panel

Model/Item No.	Description	SHIPPING			
		Weight	Length	Width	Height
LR850-2MTURNPANEL	Long Reach Block Turn Panels - 2m				
LR850-2.4MTURNPANEL	Long Reach Block Turn Panels - 2.4m				



## AVAILABLE LENGTHS



# SR250 SHORT REACH STARTING BLOCKS



SR250 base shown with optional coating

## Flanged platform with short reach base

Short reach starting blocks are designed with a 240mm setback and 350mm height, allowing them to be installed on pool with narrow raised end walls. Available with 3 platform configurations including an elite competition platform with track start adjustable to 5 positions. The track start wedge can tuck away at the rear of the footboard.

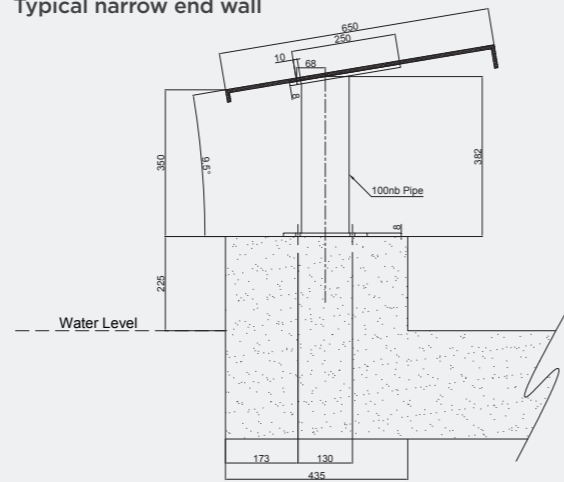
- Suitable for narrow end walls
- Durable, non-slip tread
- Adjustable track start on 650 Launch and Velocity models
- FINA compliant
- Base: 316 Stainless Steel

+ "No Dive" & Solarguard covers available



## BASE DIMENSIONS

Typical narrow end wall



## CUSTOM OPTIONS AVAILABLE

- Square post tubing
- Custom colour coatings

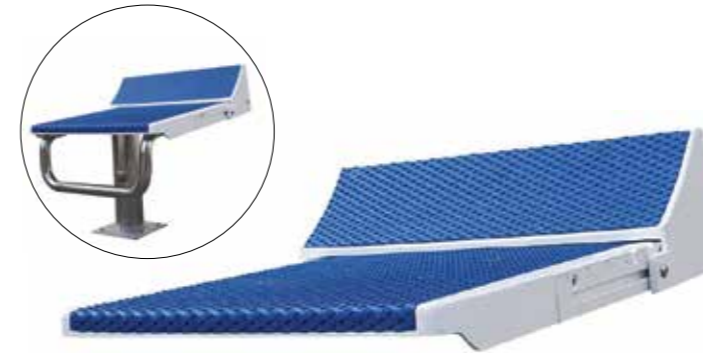


TrueTread™

## SR250 Base Short Reach Starting Block

Model/Item No.	Description	SHIPPING			
		Weight	Length	Width	Height
VELO-SR250F	Velocity w/ 250 Base - Flanged	25kg	600mm	620mm	480mm
650L- SR250	650 Launch w/ 250 Base - Flanged	28kg	650mm	605mm	480mm
600- SR250F	600 w/ 250 Base - Flanged	28kg	650mm	605mm	480mm

# RETROFIT PLATFORMS



650 launch platform shown

## Anti Wave retrofit platform upgrade

Platforms designed to upgrade existing starting blocks without replacing bases. Suitable for use with all Swimplex and PoolDeck tubular frame and flanged starting blocks.

- No re-earthing required
- Simply remove existing platform, mark and mount new block top with hardware included
- No new core-drilling or anchor mounting required
- Simple upgrade from entry level block to elite starting platform



TrueTread™ available on 650 launch platform



Before



After

## Anti Wave Retrofit Platforms

Model/Item No.	Description
25-61-600-S-R	Anti Wave Retrofit Platform - 600
25-61-650-TA-R	Anti Wave Retrofit Platform - 650 Launch

# BACKSTROKE LEDGE



## Easy to use starting device

The Anti Wave Backstroke Start Ledge is an easy to use and practical backstroke starting device for swimmers to perform top performance backstroke starts. The Backstroke Start Ledge includes 5 point manual height adjustment and is suitable for connection to all standard starting blocks including all Anti Wave Blocks.

Developed in consultation with Australian Swim Team members, the Ledge is simple to install and adjust on the pool by the swimmer or coach.

- Compatible with all standard block types, and adjustable to suit a range of swimmers needs including Masters as well as elite competition swimming and training
- Marine grade anodised aluminium body with non-slip surface, Nylon Protector End Caps and Polyester Webbing with SS316 Cam Buckle
- Adjustable to 5 positions to suit each swimmers needs using simple and durable StayPut and Eyelet system. Can be adjusted to +4cm above or -4cm below water level, as well as longer adjustments to suit Master/ Youth swimmers
- Meets FINA FR 2.10 Regulations, suitable for FINA Events



**DIMENSIONS:** 650mm long, 80mm tall, 20mm wide

**ANGLE OF WEDGE:** 10 degrees

**WEIGHT:** 0.85 kg

## Anti Wave Backstroke Ledge

Model/Item No.	Description	SHIPPING			
		Weight	Length	Width	Height
AWE350	Backstroke Starting Device FINA	.85kg	650mm	20mm	80mm

# STARTING BLOCK AND RACING PARTS & ACCESSORIES



## Backstroke Flags

Available in a variety of colours and lengths, to match your facility and fit your pool.

- Available in 15m and 30m lengths
- Red and white alternating flags are standard
- **+ Custom colours, logos and lengths available**



## Starting Block "No Dive" Platform Covers - Blue Vinyl

This blue vinyl cover protects your starting block from dirt and the elements.

- "No Diving" embellishment
- Fits all Anti Wave starting blocks



## Pace Clock (4 arms)

The Anti Wave Pace clock was designed specifically for top training facilities, and combines excellent design with functionality.

- 900mm x 900mm, wall hanging design
- Multi-coloured hands provide clear and easy reading from the water level

## Starting Block and Racing Accessories

Model/Item No.	Description
26-61-001	Backstroke Flags 15m (Red & White alternating)
26-61-002	Backstroke Flags 30m (Red & White alternating)
30-61-1016B	"No Dive" SMALL Platform Covers - Blue Vinyl
30-61-1016L	"No Dive" LARGE Platform Covers - Blue Vinyl
26-61-1017	ANTI Pace clock
17-61-005	Starting Block Anchor - Set of 4

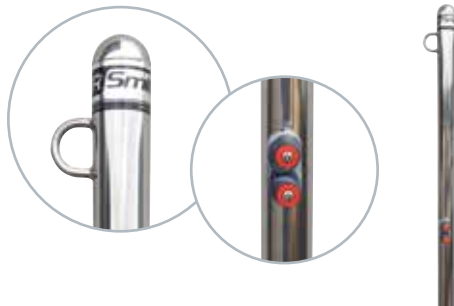
# STARTING BLOCK AND RACING PARTS & ACCESSORIES



## Deck Hole

The stainless steel deck hole accommodates backstroke or false start poles.

- 316L stainless steel
- Wide top flange to cover core hole
- 38mm and 48mm sizes available
- Centre insert to prevent toe entrapment



## Backstroke and False Start Poles

Poles slip in to a pool deck hole, and can be removed when not in use.

- 316L stainless steel
- 38mm and 48mm sizes available
- Includes welded loop and quick release T-cleat



## Track Start Adaptor

Provides a fixed track start option for existing platforms, with a simple bolt on installation.

- Durable, strong reinforced fiberglass
- Includes non-slip TrueTread surface
- 316L stainless steel hardware included

### Starting Block and Racing Accessories

Model/Item No.	Description
17-61-3813	Deck Hole SS 316 (38mm)
17-61-4813	Deck Hole SS 316 (48mm)
26-61-1014	False Start Rope 15m
26-61-1015	False Start Rope 30m
26-61-1014-1	False Start Rope - Custom Length (per metre)
4-61-3816	False Start/Backstroke Pole Only - 38mm x 1.6mm
4-61-3830	Heavy Duty False Start/Backstroke Pole Only - 38mm x 3mm
4-61-4816	False Start/Backstroke Pole Only - 48mm x 1.6mm
4-61-4830	Heavy Duty False Start/Backstroke Pole Only - 48mm x 3mm
30-61-1004	Trackstart Adaptor - Bolt on