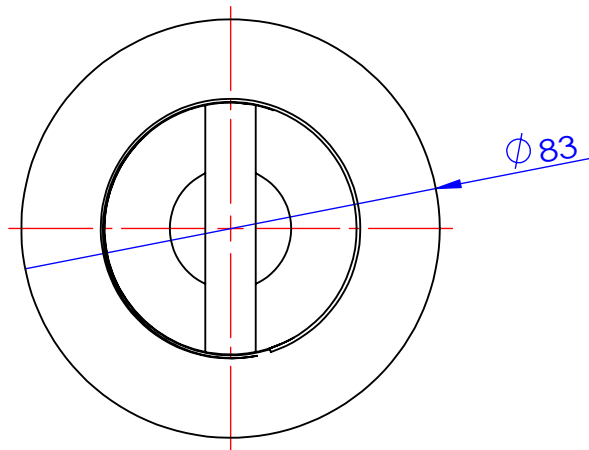


SECTION A-A  
SCALE 2 : 3



Note:

1. The tickness of the body is 4mm, plus 3mm rib, total is 7mm.
2. The material is Nylon.



PROPRIETARY AND CONFIDENTIAL

The information contained in this drawing is the sole property of ANTI WAVE, any reproduction in part or as a whole without the written permission of ANTI WAVE is prohibited.

©ANTI WAVE 2009

Project Name:				Product Name:				Project No.		Product No.	
Lane Anchor				Lane Anchor				Drawn Date		Verify Date	
Drawn	Philip	Scale	2:3	Patents	2001285610; 7100219; 4048677; 01818714.5 & 2003/2920 e.g.						