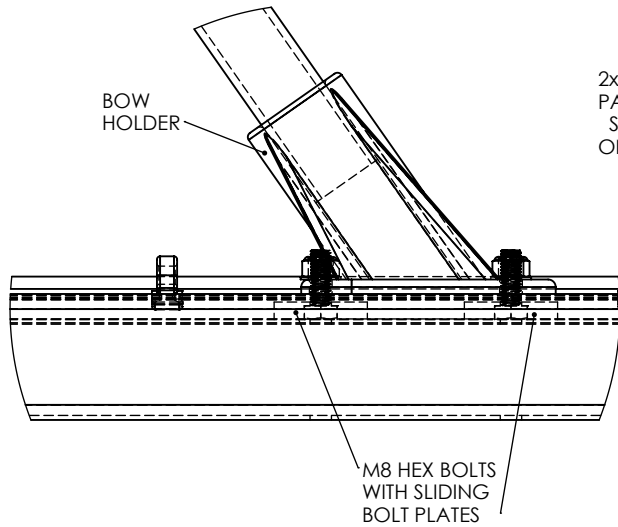
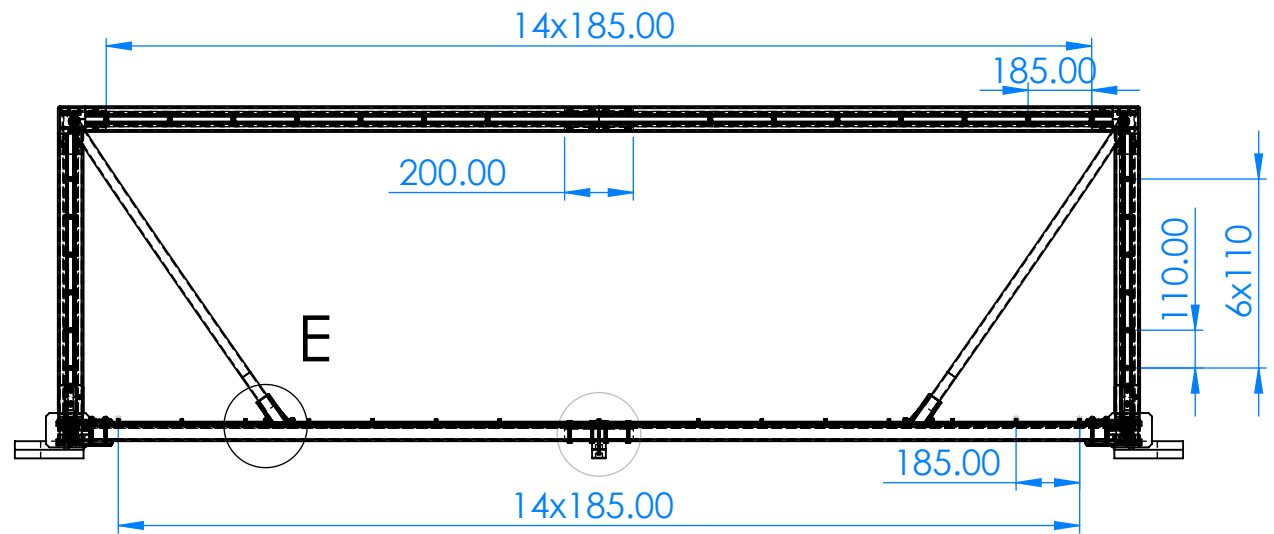
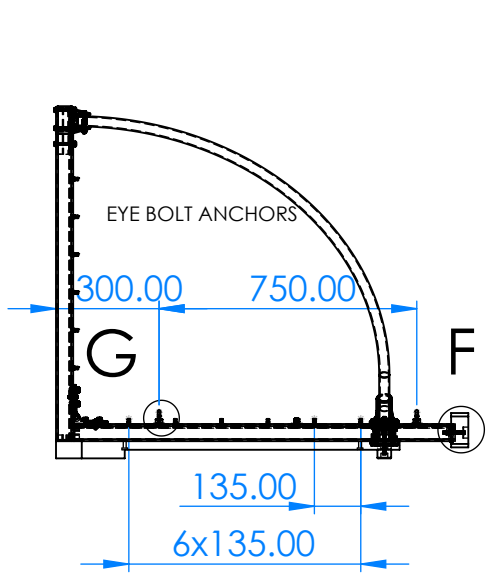
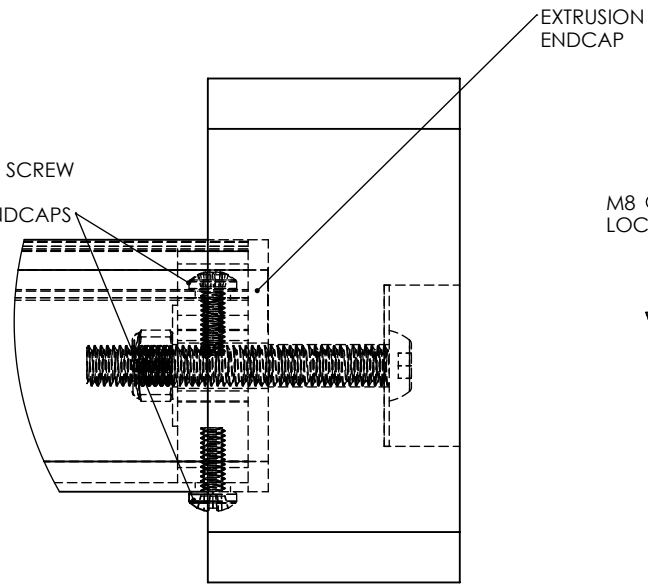


Project Name:			Product Name:			Project No.		Product No.	
			GLOBAL ANTI GOAL 1.2m						
Drawn			Scale			Drawn Date		Verify Date	
			Patents						

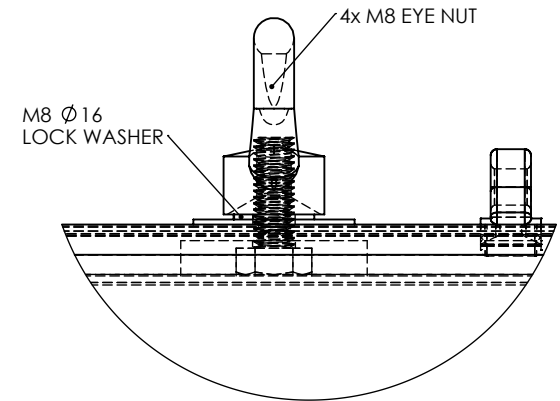


DETAIL E
SCALE 1 : 3

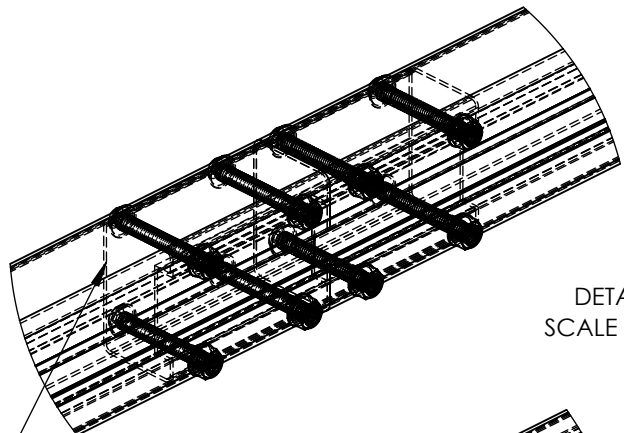
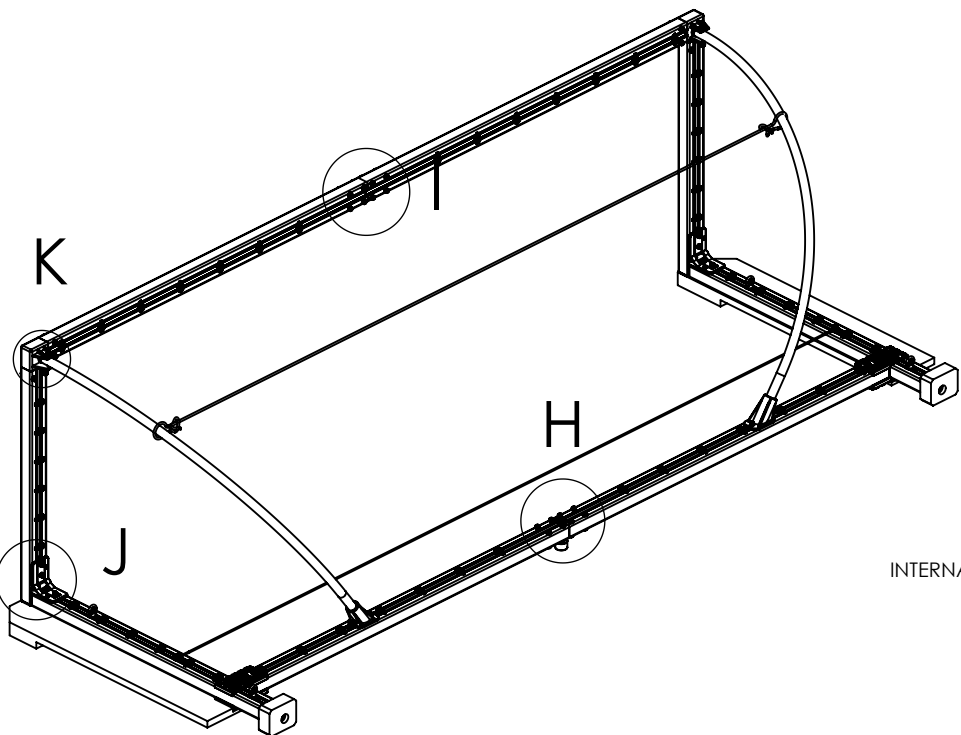
2x SELF TAPPER
PAN HEAD PHILIPS SCREW
SS316 10Gx1/2
ON BOTH REAR ENDCAPS



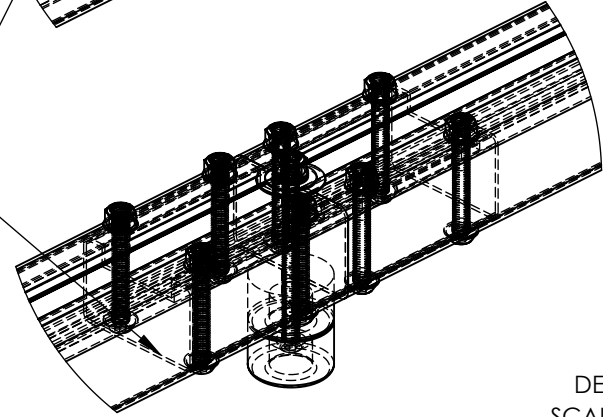
DETAIL F
SCALE 1 : 1.5



DETAIL G
SCALE 1 : 1.5



DETAIL I
SCALE 1 : 3.5

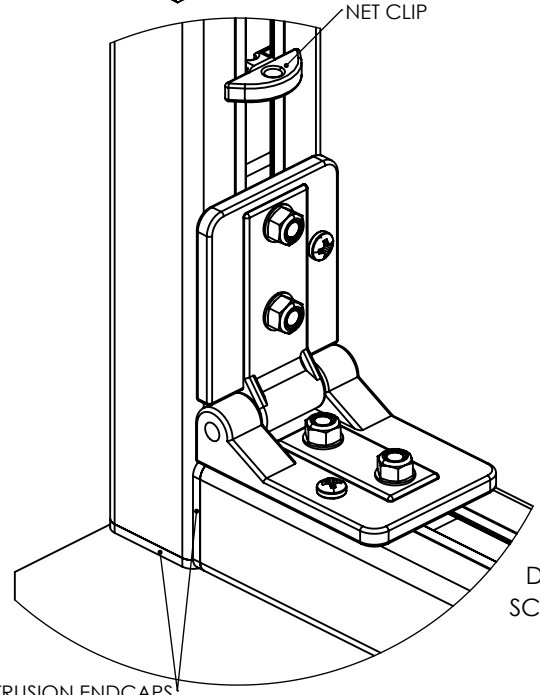


DETAIL H
SCALE 1 : 3.5

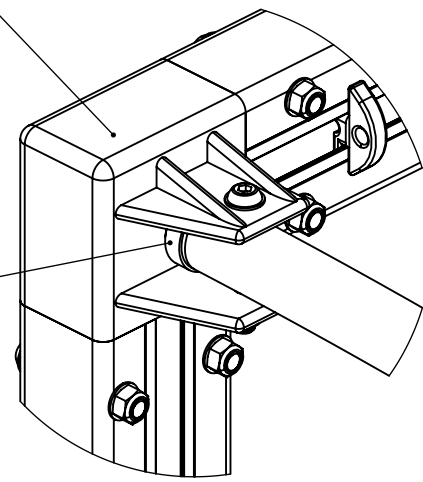
INTERNAL ALU INSERT

2x NYLON CORNERS AND
BOW CONNECTORS

2x PIPE PLUGS



DETAIL J
SCALE 1 : 3



DETAIL K
SCALE 1 : 3

NET CLIP

EXTRUSION ENDCAPS



ANTI™
PROPRIETARY AND CONFIDENTIAL
 The information contained in this drawing is the sole property of ANTI WAVE, Int'l any reproduction in part or as a whole without the written permission of ANTI WAVE is prohibited.

Project Name:			Product Name:			Project No.		Product No.	
			GLOBAL ANTI GOAL 1.2m						
Drawn			Scale			Drawn Date		Verify Date	
			Patents						