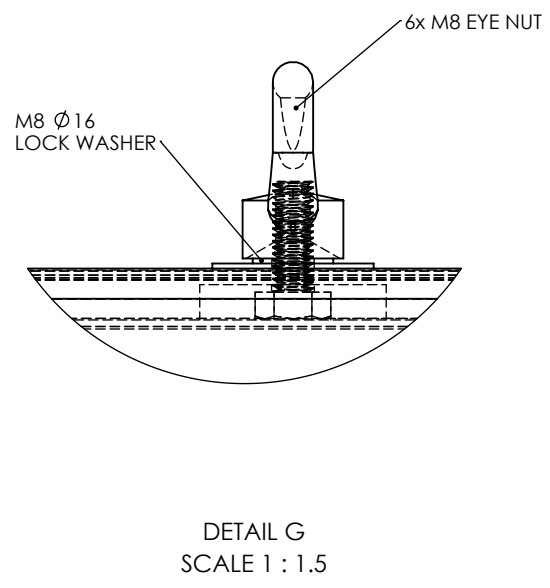
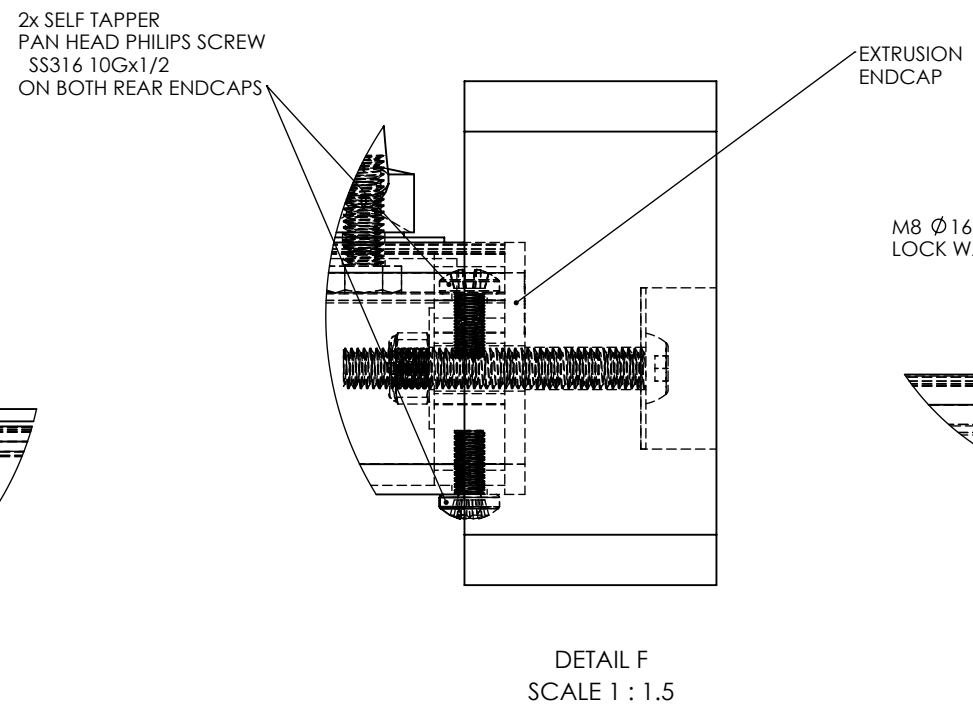
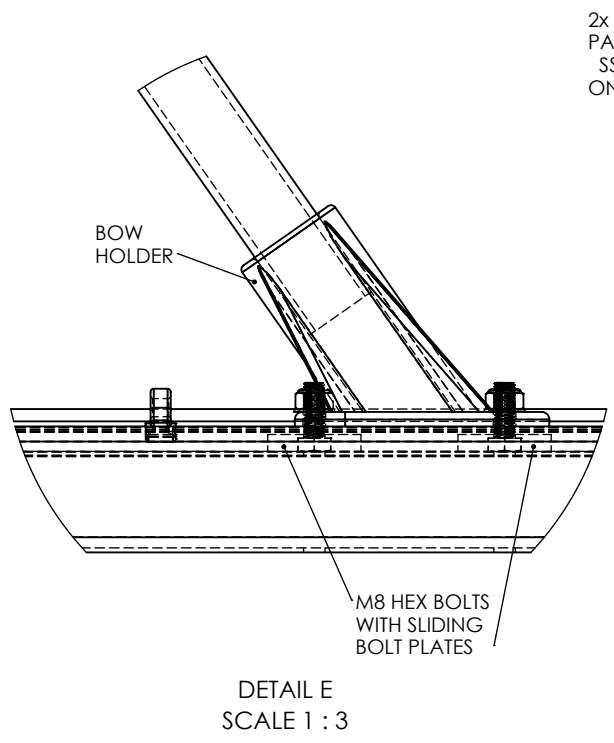
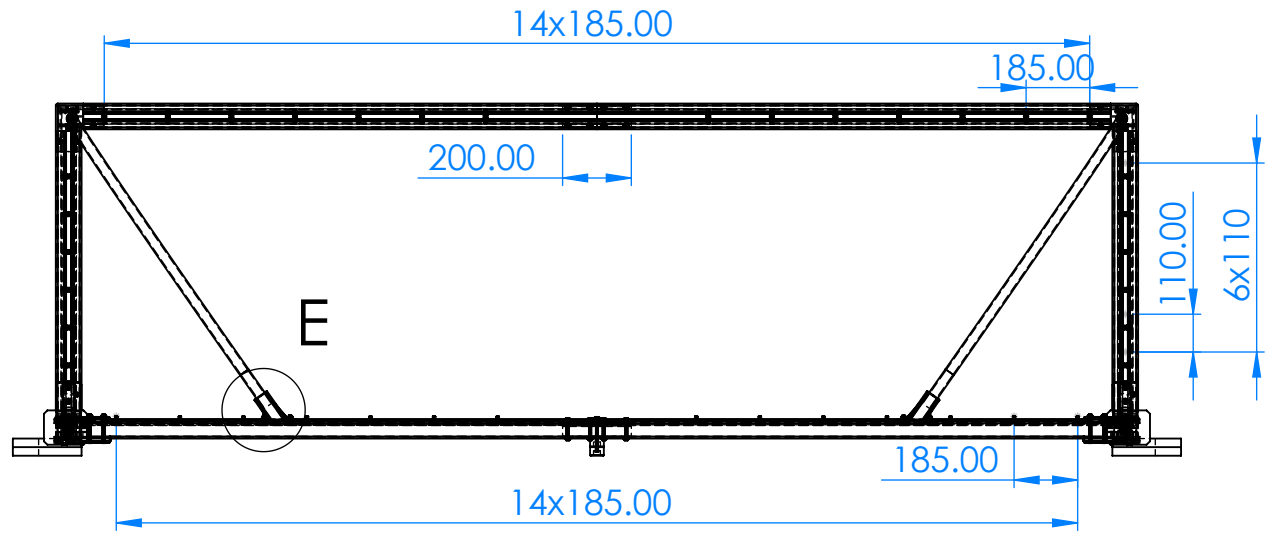
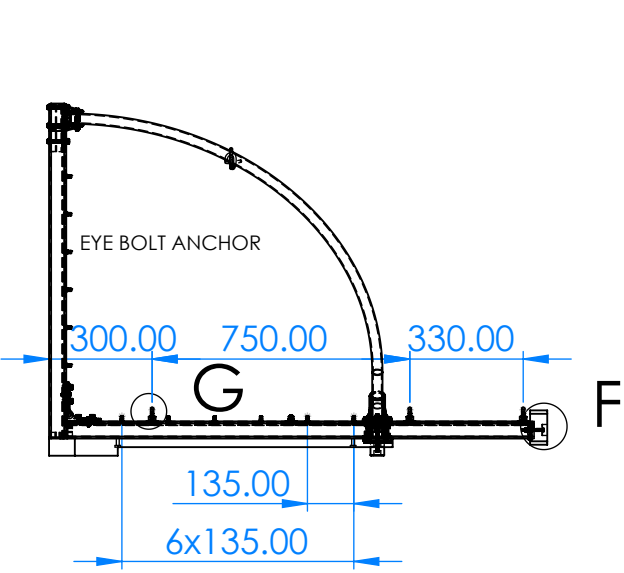
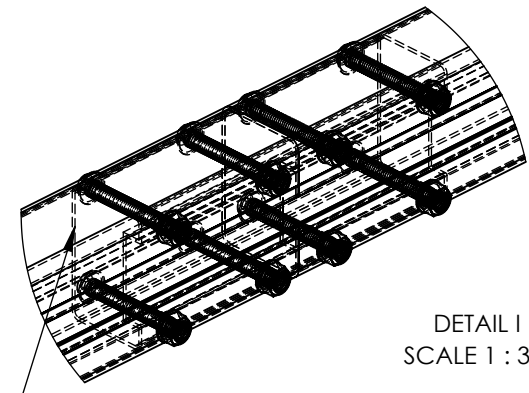
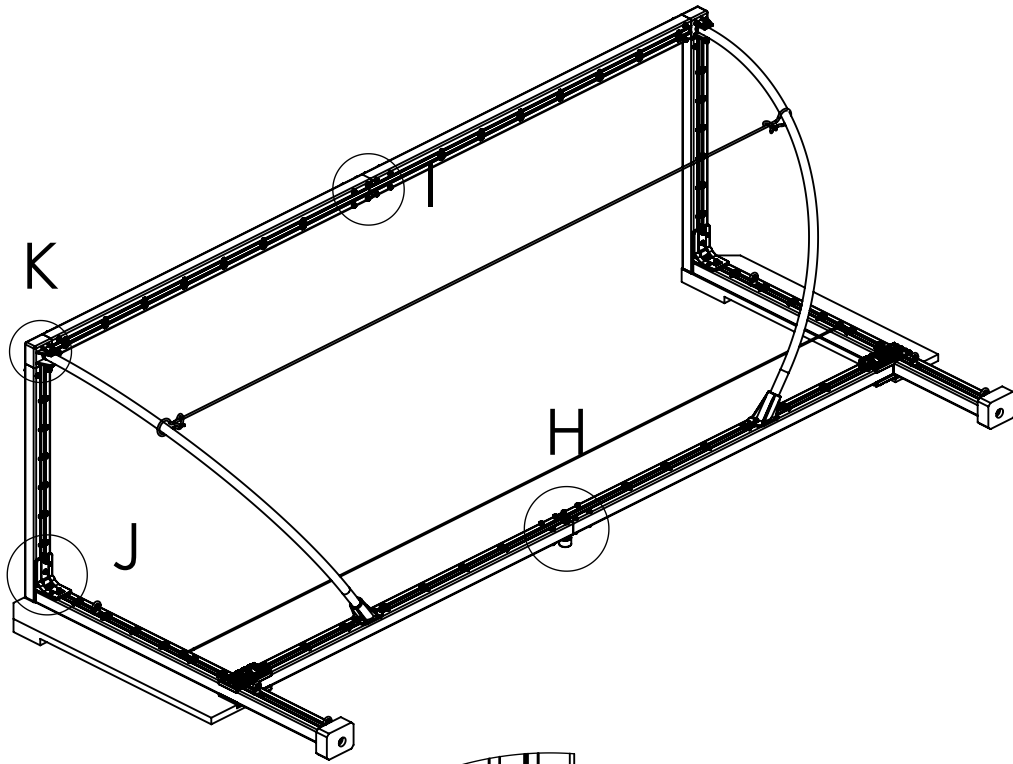


Project Name:		Product Name:		Project No.		Product No.	
		GLOBAL ANTI GOAL 1.4m		Drawn Date		Verify Date	
Drawn	Scale	Patents					

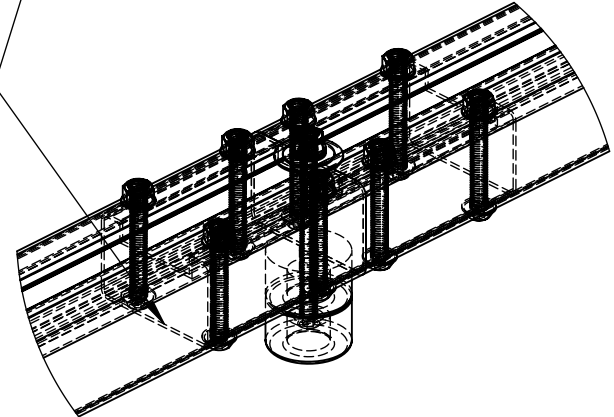


Project Name:			Product Name:			Project No.		Product No.	
			GLOBAL ANTI GOAL 1.4m						
Drawn			Scale			Drawn Date		Verify Date	
			Patents						



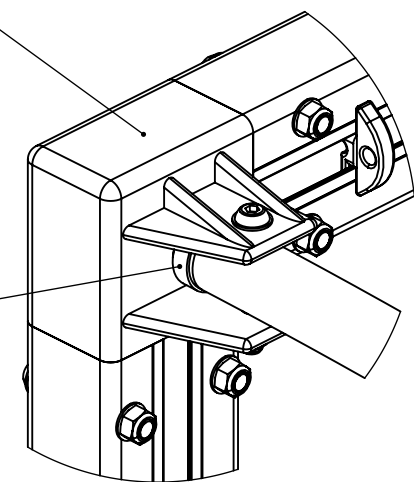
DETAIL I  
SCALE 1 : 3.5

INTERNAL ALU INSERT



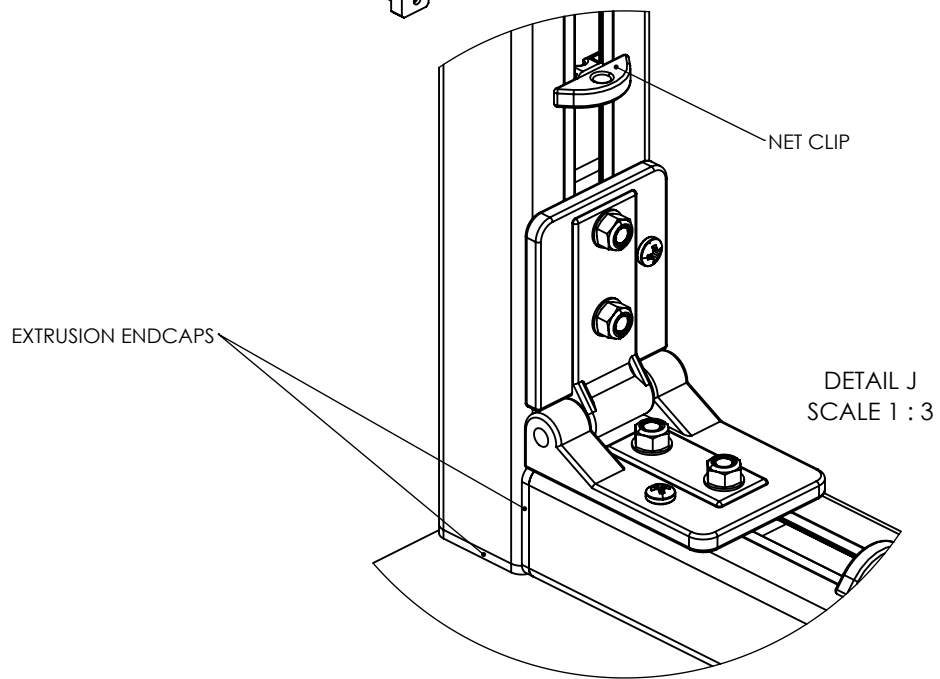
DETAIL H  
SCALE 1 : 3.5

2x NYLON CORNERS AND  
BOW CONNECTORS



DETAIL K  
SCALE 1 : 3

2x PIPE PLUGS



NET CLIP

DETAIL J  
SCALE 1 : 3

EXTRUSION ENDCAPS

Project Name:			Product Name:			Project No.		Product No.	
			GLOBAL ANTI GOAL 1.4m						
Drawn			Scale			Patents		Drawn Date	
								Verify Date	