

# COMMERCIAL

# POOL PRODUCTS





Anti Wave is the global leader in the design and supply of Competition Swimming, Water Polo, Pool Deck, Leisure and Pool Programming equipment.

Anti Wave equipment was first used at the Munich Olympic Games in 1972, and has been used extensively in aquatic facilities and pools around the world since. Anti Wave specialises in complete aquatic facility fit-outs for Competition Swimming, Pool Deck, Water Polo and associated equipment including pool programmability products such as Moveable floors, SwimWalls and Bulkheads.

With a long and tested history with over 45 years of highest quality products, customer service and innovation Anti Wave products are world-renowned for their first class design, quality and durability. Our products are designed and tested in Australia to withstand the tough environments that are found on outdoor commercial pools. Our Racing Lanes feature specially formulated UV Stabilisation, anti-oxidants and colour fasteners to ensure years of reliable service.

Anti Wave has Licensed production in 8 countries – meaning that you are sure to find our products with the highest level of professional service, reasonable prices and top level of customer support near you.



## ENGINEERED FOR SUCCESS

Creating products that make the pool experience better is our singular focus. It means engineering product solutions that will provide quality swimming pool deck equipment for every pool enthusiast: aquatic designers, swim coaches, pool contractors, service providers, facility managers and of course swimmers.

For a competitive swimmer it means starting blocks designed for faster, solid starts, and lane lines with superior wave quelling properties. If high energy swimming pool fun is the theme, we have a wide range of choices: slides, water play features and pool games. And for the mobility challenged we offer DDA compliant pool access products that ensure everyone can get in and out of the pool safely.

Check out our online resources that make quoting, specifying, product selection and installation easier, visit [SRSMITH.COM](http://SRSMITH.COM)



# COMMERCIAL POOL EQUIPMENT & ACCESSORIES CATALOGUE CONTENTS

LANE LINES	5
STARTING BLOCKS AND RACING	15
WATER POLO EQUIPMENT	27
ACCESSIBILITY EQUIPMENT	36
WATER PLAY EQUIPMENT	44
IN POOL FURNITURE	50
RAILS & LADDERS	53
LIFEGUARD CHAIRS	61
GRATING	64
CLEANING EQUIPMENT	67



LANE LINES

REELS

LANE & OVERFLOW ANCHORS

PARTS & ACCESSORIES

# LANE LINES

# LANE LINES

## When performance counts


Our unique, patented design is proven to reduce wave action and creates a multidimensional barrier against waves by dispersing them along the lane line, through each individual freely spinning lane disc, and then down into the water.

Anti Wave lane lines meet a wide range of needs from recreational lap pools to international aquatic facilities for elite competition.

Our MAXI, MYTI and MIDI model racing lanes represent the cutting edge of lane design and wave dissipation, and comply with all FINA, LEN and equivalent regulations.

- Unique design quells wave action, and keeps the water calmer for swimmers
- The MIDI 110mm and MYTI 125 are suitable for competition, water polo and general pool division
- 150mm width is designed for elite competition pools and maximum wave control
- All discs are made from top specification UV Stabilised advanced thermoplastics
- Includes SuperTensioners for safe, easy tightening and removal of lane lines
- Cable is SS316 with diameter of 3.1mm and max force of 5kn - allowing higher tension and more effective wave dissipation


65mm disc	110mm disc	125mm disc	150mm disc
Ideal for junior swim schools & pool division	Adequate wave reduction for recreational swimming	Good wave reduction for competition swimming	Superior wave reduction for elite aquatic facilities




**DISCS AVAILABLE IN 4 DIAMETER WIDTHS**



**6 STANDARD COLOUR OPTIONS**



**+ Custom disc colours available upon request**



## Anti Wave Lane Lines assembled with SuperTensioner and Long Clamp with S-Hook

Model/Item No.	Description
12-61-450-99T	50m MAXI, 150mm diameter
12-61-350-99T	50m MYTI, 125mm diameter
12-61-250-99T	50m MIDI, 110mm diameter
12-61-150-99T	50m MINI, 65mm diameter
12-61-425-99T	25m MAXI, 150mm diameter
12-61-325-99T	25m MYTI, 125mm diameter
12-61-225-99T	25m MIDI, 110mm diameter
12-61-125-99T	25m MINI, 65mm diameter

## Anti Wave Custom Lane Line Configurations

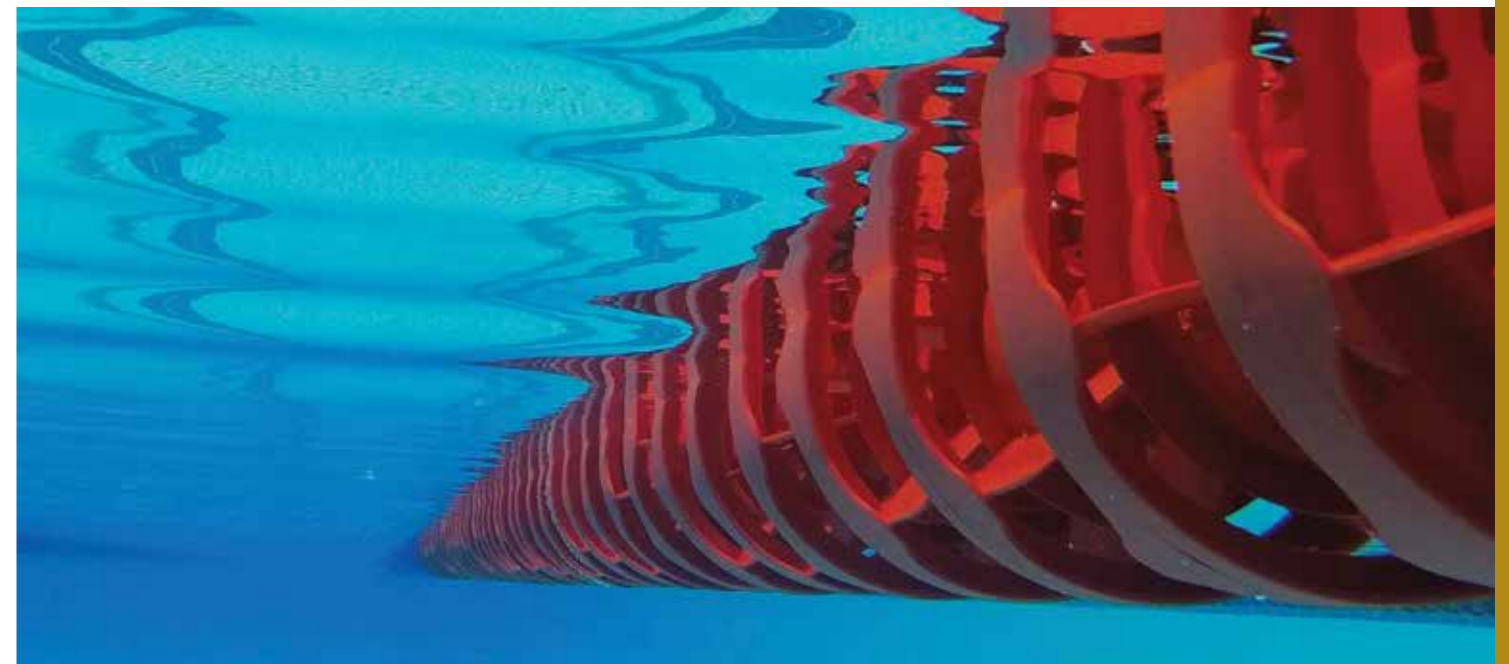
Model/Item No.	Description
12-61-400-99	150mm diameter MAXI (per metre)
12-61-300-99	125mm diameter MYTI (per metre)
12-61-200-99	110mm diameter MIDI (per metre)
12-61-100-99	65mm diameter MINI (per metre)

Note: SuperTensioner, Long Clamp with S-Hook or Snap Hook must be ordered separately

## Anti Wave Disc & Floats

Model/Item No.	Description
2-61-40X	150mm MAXI Disc White (1), Red (2), Yellow (3), Blue (4), Green (5), Black (6)
2-61-30X	125mm MYTI Disc White (1), Red (2), Yellow (3), Blue (4), Green (5), Black (6)
2-61-20X	110mm MIDI Disc White (1), Red (2), Yellow (3), Blue (4), Green (5), Black (6)
2-61-10X	65mm MINI Disc White (1), Red (2), Yellow (3), Blue (4), Green (5), Black (6)
2-61-60X	Float Donut White (1), Red (2), Yellow (3), Blue (4), Green (5), Black (6), Grey (7)

Key to order discs and floats:  
X = colour, Example 2-61-103 = 65mm Yellow MINI disc



# SUPERTENSIONER

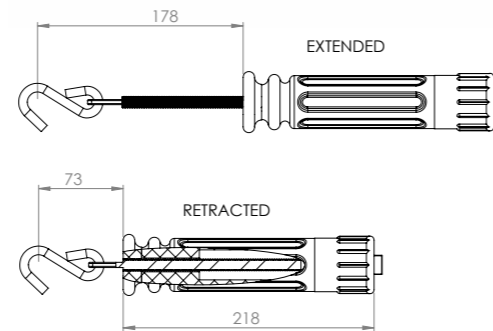
## The original and best

Anti Wave SuperTensioner provides simple, problem free tensioning of stainless steel lane cables and lane ropes and is superior to outdated turn-buckle technology.



- Threaded rod allows safe, simple and secure adjustment of lane ropes with no tool needed
- Stainless Steel rod with brass ferrule and glass filled polycarbonate body construction
- All stainless steel fittings are marine grade SS316
- SuperTensioner is tested up to 4kN line pressure, allowing high performance wave dissipation

### AVAILABLE COLOURS



## Anti Wave SuperTensioner

Model/Item No.	Description
30-61-0202	Anti Wave SuperTensioner (Red)
30-61-0203	Anti Wave SuperTensioner (Black)



# LANE LINE REEL



## Anti Wave White Powder-Coated StoReel

A high-capacity lane line storage reel made from corrosion-resistant, powder coated aluminium. The StoReel features four stainless steel casters, making it easy to maneuver on the pool deck.

- Size: 980mm
- 180kg maximum weight capacity
- Sturdy frame is made from powder-coated aluminium
- Heavy duty locking castors swivel 360° making the StoReel easy to maneuver
- Axle is powder-coated aluminium

### Capacity Chart

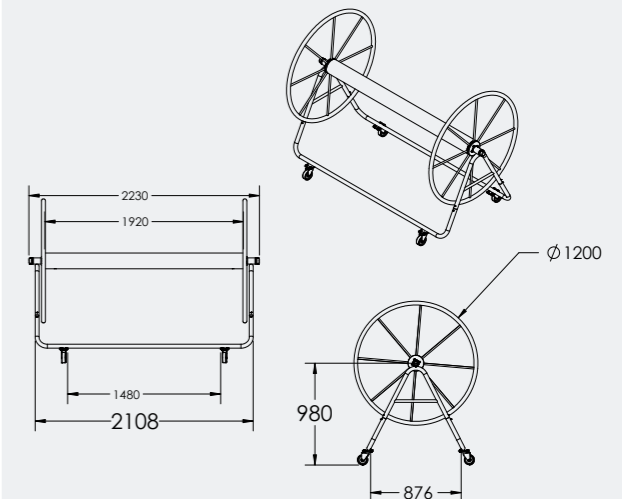
Lane Line Size (ø dia)	Total lane line length	25 metre lane lines	50 metre lane lines
MAXI 150mm	100 metres	4 lane lines	2 lane lines
MYTI 125mm	125 metres	6 lane lines	3 lane lines
MIDI 110mm	150 metres	6 lane lines	3 lane lines
MINI 65mm	250 metres	10 lane lines	5 lane lines

## Lane Line StoReels

Model/Item No.	Description	SHIPPING (2 Items)			
		Weight	Length	Width	Height
13-61-5003	StoReel Lane Line Reel	28kg	1300mm	1300mm	500mm
30-61-0502	StoReel Cover Blue Vinyl	22kg	2300mm	250mm	500mm



## SPECIFICATIONS



## OPTIONAL COVER



# LANE LINE REEL



## Anti Wave Stainless Steel StoReel

A high-capacity lane line storage reel made from corrosion-resistant, stainless steel. The StoReel features four stainless steel casters, making it easy to maneuver on the pool deck.

- Size: 980mm (deck to centre axle)
- 180kg maximum weight capacity
- Sturdy frame is made from polished 316L stainless steel to resist corrosion
- Heavy duty locking castors swivel 360° making the StoReel easy to maneuver
- Axle is powder-coated aluminium

### Capacity Chart

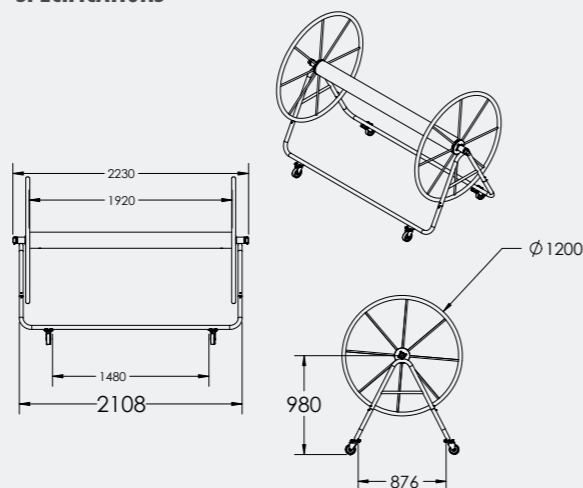
Lane Line Size (ø dia)	Total lane line length	25 metre lane lines	50 metre lane lines
MAXI 150mm	100 metres	4 lane lines	2 lane lines
MYTI 125mm	125 metres	6 lane lines	3 lane lines
MIDI 110mm	150 metres	6 lane lines	3 lane lines
MINI 65mm	250 metres	10 lane lines	5 lane lines

### Lane Line StoReels & Parts

Model/Item No.	Description	SHIPPING (2 Items)			
		Weight	Length	Width	Height
13-61-5001	StoReel Lane Line Reel	28kg	1300mm	1300mm	500mm
5-61-003	Swivel Castor Wheel	22kg	2300mm	250mm	500mm
2-61-7011	Plastic End Cap				
30-61-0502	StoReel Cover Blue Vinyl				



### SPECIFICATIONS



### OPTIONAL COVER



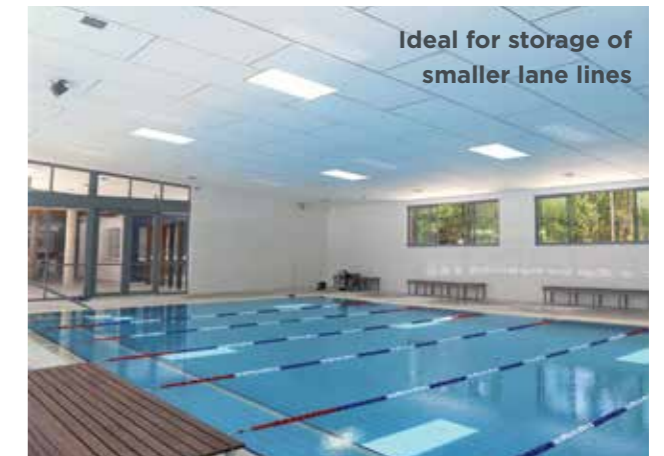
# MINI STO-REEL



## Mini StoReel

A lightweight, compact lane line storage reel. Ideal for use in program pools using mini (65mm) lane lines.

- Fits 60m of Mini lane lines - (4 x 15m)
- Ideal for learn to swim pools with limited deck space
- Dimensions: 1120mm W x 990 H x 915mm D
- Weight: 21kg
- Aluminium with white Powdercoat
- Heavy duty locking castor wheels



Ideal for storage of smaller lane lines



### SPECIFICATIONS

#### Capacity Chart

Total lane line length	15 metre mini lane lines
60 metres	4 lane mini lines

### Mini Line StoReel

Model/Item No.	Description
13-61-5004	Mini StoReel

# LANE-AWAY UNDER CONCOURSE STORAGE



## Under Concourse Storage

Space-saving under concourse lane line storage for new pool construction.

- 316 stainless steel hatch and frame
- Pop up roller for smooth lane line delivery and removal
- Recessed hatch design for tiling to match concourse

## Concourse Storage

Model/Item No.	Description
13-61-001-SO	Lane-away under concourse storage

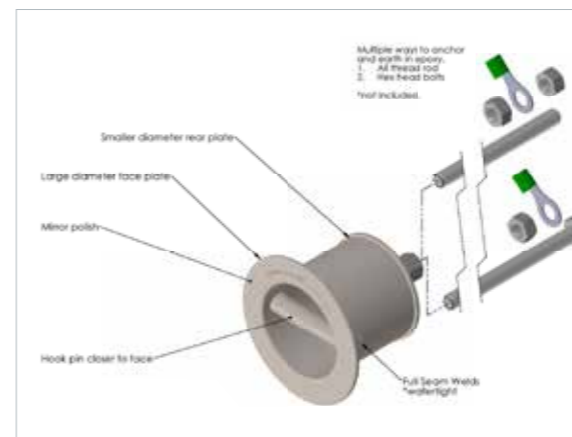


# LANE LINE PARTS & ACCESSORIES



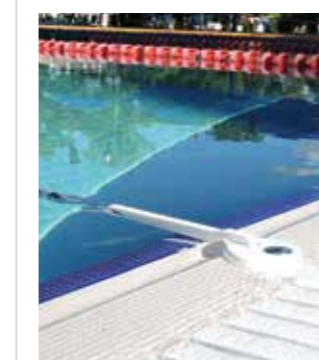
## Anti Wave Nylon Lane Line Anchor

Installs in to the pool wall, for anchoring lane lines. Anchor does not require earthing.

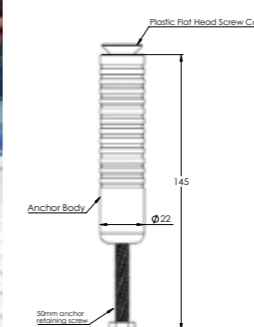


## Anti Wave Stainless Steel Lane Line Anchor

Installs in to the pool wall, for anchoring lane lines. Includes coupling nut for threaded rod extension.



## ChemSet Anchor

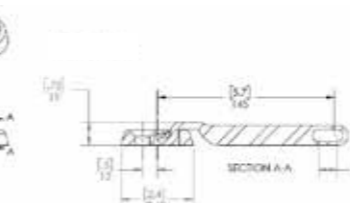


## Lane Line Anchor for Overflow Pools

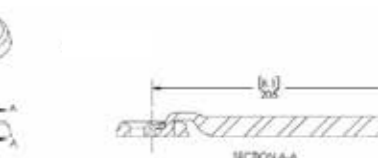
Low profile lane line anchor for use on pools with overflow gutters.

- Marine-grade, 316 stainless steel with vinyl coated for extra protection
- 140mm and 200mm lengths
- ChemSet anchor kit included

## 140mm Anchor



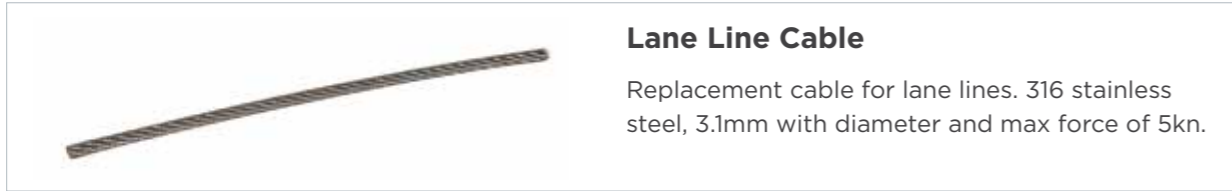
## 200mm Anchor



## Lane Line Parts & Accessories

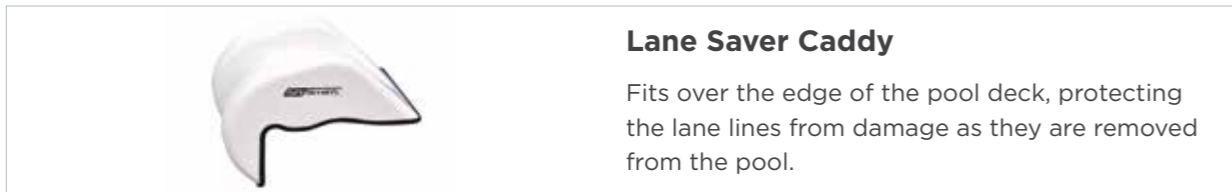
Model/Item No.	Description
17-61-003	Nylon Lane Line Anchor
17-61-A04	Stainless Steel Lane Line Anchor
17-61-140S	Lane Line Anchor for Overflow Pools 140mm
17-61-200S	Lane Line Anchor for Overflow Pools 200mm

# LANE LINE PARTS & ACCESSORIES



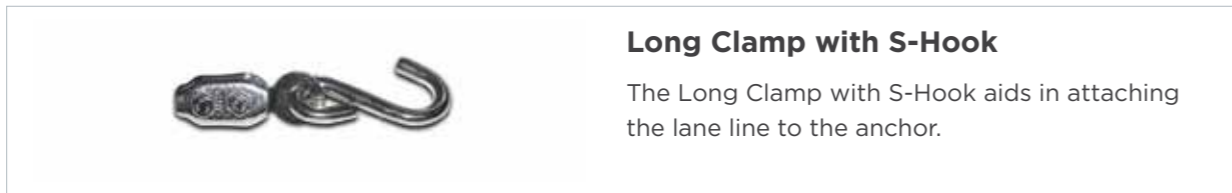
### Lane Line Cable

Replacement cable for lane lines. 316 stainless steel, 3.1mm with diameter and max force of 5kn.



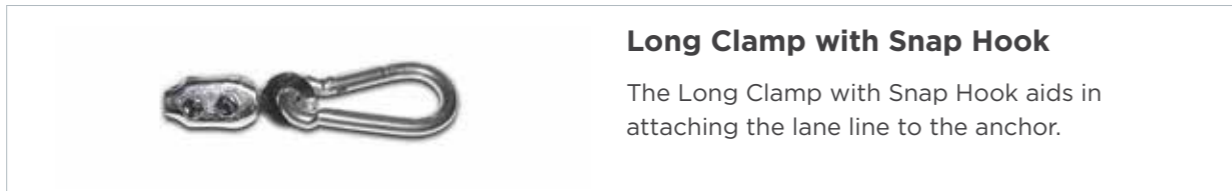
### Lane Saver Caddy

Fits over the edge of the pool deck, protecting the lane lines from damage as they are removed from the pool.



### Long Clamp with S-Hook

The Long Clamp with S-Hook aids in attaching the lane line to the anchor.



### Long Clamp with Snap Hook

The Long Clamp with Snap Hook aids in attaching the lane line to the anchor.



#### Lane Line Parts & Accessories

Model/Item No.	Description
4-61-1316-99	Lane Line Cable (per metre)
30-61-1014	Lane Saver Caddy
5-61-606	Long Clamp with S-Hook
5-61-607	Long Clamp with Snap Hook
5-61-3131	Swag - 3mm - Copper
5-61-3132	Thimble - 3mm - 316SS



STARTING BLOCKS  
 BACKSTROKE POLES  
 FALSE START POLES  
 BACKSTROKE FLAGS  
 PARTS & ACCESSORIES

# STARTING BLOCKS AND RACING



# VELOCITY ADVANTAGE STARTING BLOCK



## Elite competition platform

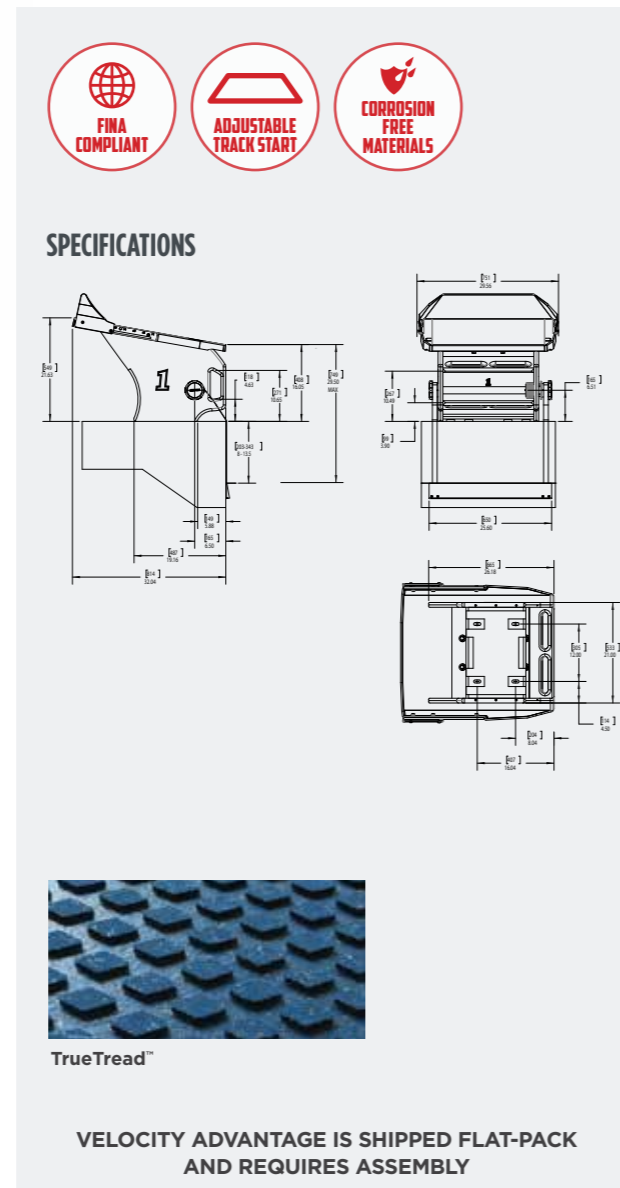
Designed for fast, solid starts, the Velocity Advantage starting blocks feature strong fiberglass footboards with track start wedge on an HDPE composite base.

- Easily mounts to pool decks or bulkheads with minimal drilling
- 41cm height makes it well suited for bulkheads and end walls with 20cm - 42cm deck to water heights
- The 71cm x 81cm footboard surface is available with TrueTread™
- Track start wedge, adjustable to 5 positions, easily tucks under the footboard
- Patent pending integral backstroke start ledge is adjustable to five positions in accordance with FINA standards
- Three built in backstroke handholds – two center positions and one on each side
- Compatible with Colorado and Daktronic timing systems

+ “No Dive” & Solarguard covers available

### Velocity Starting Block

Model/Item No.	Description	SHIPPING			
		Weight	Length	Width	Height
VELO-ADV-BK-T	Velocity Advantage with TrueTread™	53kg	940mm	860mm	710mm



# VELOCITY STARTING BLOCK



## Elite competition platform

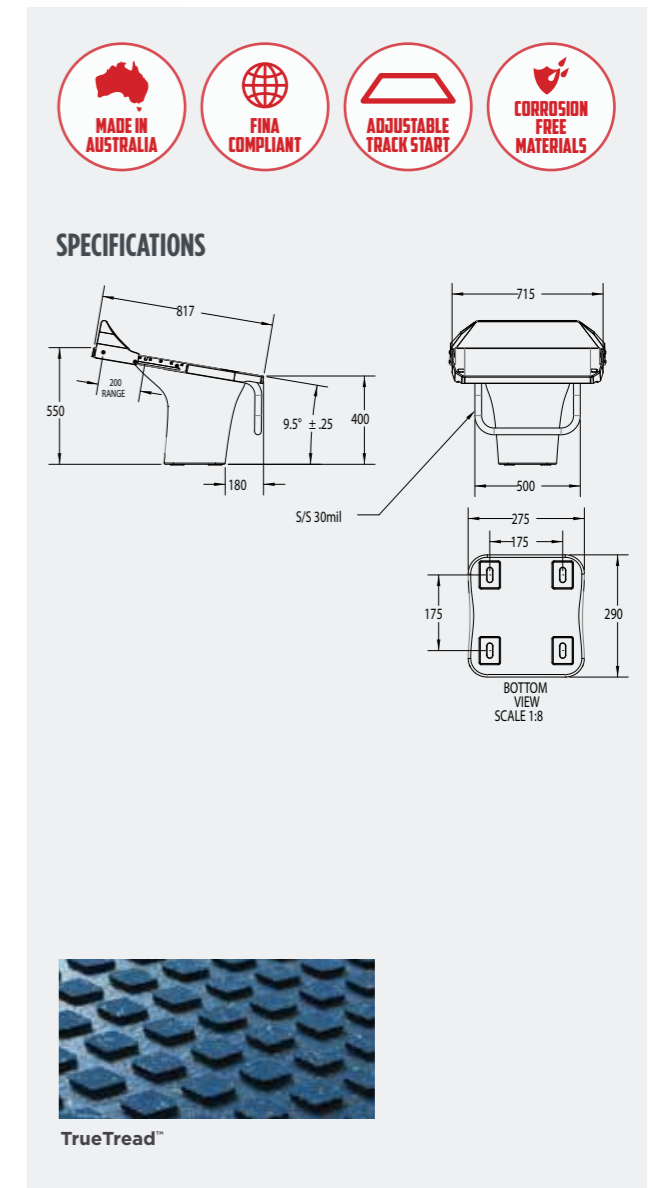
The Velocity Starting Block is an elite competition platform with a track start, adjustable to 5 positions. Fiberglass construction with 316 SS fittings. Chem set anchors are included. The track start wedge can tuck beneath the footboard.

- Corrosion free fibreglass construction
- Durable, non-slip TrueTread™
- Compatible with Colorado and Daktronic timing systems
- Anchor hole placement matches Anti Wave 650 and 600 blocks
- Internal earthing wire included to allow for bonding requirements
- FINA compliant (FR2.7)

+ “No Dive” & Solarguard covers available

### Velocity Starting Block

Model/Item No.	Description	SHIPPING			
		Weight	Length	Width	Height
25-61-820A	Velocity with adjustable track start	29kg	1100mm	770mm	720mm



# 650 LAUNCH STARTING BLOCK



Block shown with optional coated backstroke handle

## Competition platform

The Anti Wave 650 Launch block design has an updated look and functionality, with a TrueTread™ surface that is recessed and extends over the front of the block. The track start wedge can tuck beneath the footboard.

- Durable, non-slip TrueTread™
- Fibreglass construction with 316 SS fittings
- Track start with longer range is adjustable to 5 positions, and tucks away for relay starts
- Standard & quick release anchor systems
- Internal earthing wire included to allow for bonding requirements
- FINA compliant (FR2.7)

+ "No Dive" & Solarguard covers available



TrueTread™

## Anti Wave 650 Launch Starting Block

Model/Item No.	Description	SHIPPING			
		Weight	Length	Width	Height
25-61-065T	Anti Wave 650 w/adjustable track start	21kg	620mm	690mm	690mm
25-61-065R	Anti Wave 650 w/adjustable track start & QR anchor	23kg	620mm	690mm	690mm

MADE IN AUSTRALIA

FINA COMPLIANT

ADJUSTABLE TRACK START

CORROSION FREE MATERIALS

### SPECIFICATIONS

#### 650 Launch with Standard Anchor

#### 650 Launch with Quick Release Anchor

Removable Anchor Pin

Concrete Anchor

PROFILE SECTION ILLUSTRATES REMOVABLE ANCHOR

Rubber Foot Pad

# 600 STARTING BLOCK



## Entry-level platform

The Anti Wave 600 features a fixed track start wedge moulded into the non-slip composite platform. Ideal for use in junior swim clubs and for social swimmers.

- Durable, non-slip tread
- Fibreglass construction with 316 SS fittings
- Fixed track start
- Standard & quick release anchor systems
- Internal earthing wire included to allow for bonding requirements

+ "No Dive" & Solarguard covers available

## Anti Wave 600 Launch Starting Block

Model/Item No.	Description	SHIPPING			
		Weight	Length	Width	Height
25-61-060T	Anti Wave 600 with fixed track start	20.5kg	620mm	690mm	690mm
25-61-060R	Anti Wave 600 with fixed track start & QR anchor	23.2kg	620mm	690mm	690mm

MADE IN AUSTRALIA

FINA COMPLIANT

CORROSION FREE MATERIALS

### SPECIFICATIONS

#### 600 with Standard Anchor

#### 600 with Quick Release Anchor

Removable Anchor Pin

Concrete Anchor

PROFILE SECTION ILLUSTRATES REMOVABLE ANCHOR

Rubber Foot Pad

# LR850 LONG REACH STARTING BLOCKS



## Removable platform with long reach base

Long Reach Starting Blocks are designed with an 850mm setback and 700mm height, allowing the platform to reach over grating channels and eliminate the requirement for a raised endwall. Available with 3 platform configurations including an elite competition platform with track start adjustable to 5 positions. The track start wedge can tuck away at the rear of the footboard.

- Fibreglass construction with 316 SS fittings
- Track start is adjustable to 5 positions, and tucks away for relay starts (excludes 600 platform)
- Available in 3 platform models
- FINA compliant (FR 2.7)
- Base: High grade 316 SS with mirror finish
  - 850mm setback from pool edge
  - Includes locking deck anchor
  - Non-slip side step
  - Custom coatings available

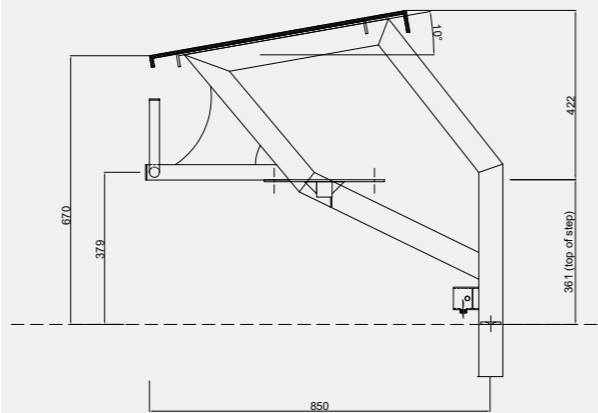
+ "No Dive" & Solarguard covers available

## Removable Long Reach Starting Blocks

Model/Item No.	Description	SHIPPING			
		Weight	Length	Width	Height
VELO-LR850R	Velocity LR 850 (Removable Long Reach)	39kg	1300mm	1050mm	630mm
650L-LR850R	650 Launch LR 850 (Removable Long Reach)	43kg	1300mm	1050mm	630mm
600-LR850R	600 LR 850 (Removable Long Reach)	43kg	1300mm	1050mm	630mm



## BASE DIMENSIONS



## CUSTOM OPTIONS AVAILABLE

- Round post tubing
- Custom colour coatings
- Rear step



TrueTread™

# LONG REACH STARTING BLOCK TURN PANEL



## Long Reach Starting Block Turn Panel

The long Reach block Turn Panel attaches to the starting block base and creates a non-slip endwall for tumble turns. Vertical adjustments can be made to accommodate the fall of the pool and optional attachment points are available for timing pads. The turn panel can be easily removed from the socket and stored when not in use. Available in two sizes: 2m & 2.4m width.

- Suitable for LR850 starting block bases
- 316 stainless steel with non-slip replaceable grating
- No additional core drilling & deck sockets required
- No additional earthing (single earthing point in block anchor)
- Adjustable foot removes any up or down movement
- Adjustable front panel accommodates fall of pool deck

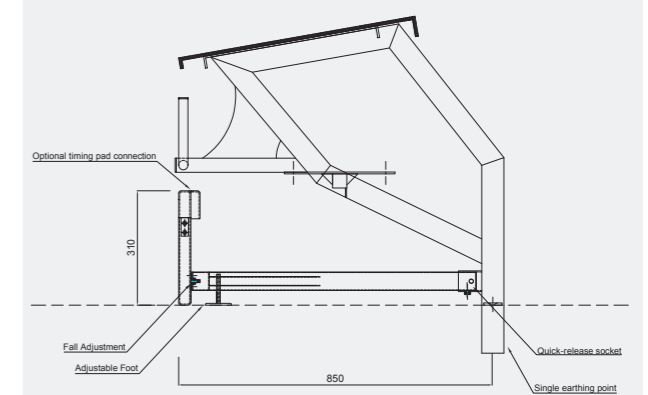
+ Optional timing pad brackets available

## Long Reach Starting Block Turn Panel

Model/Item No.	Description	SHIPPING			
		Weight	Length	Width	Height
LR850-2MTURNPANEL	Long Reach Block Turn Panels - 2m				
LR850-2.4MTURNPANEL	Long Reach Block Turn Panels - 2.4m				



## AVAILABLE LENGTHS



# SR250 SHORT REACH STARTING BLOCKS



SR250 base shown with optional coating

## Flanged platform with short reach base

Short reach starting blocks are designed with a 240mm setback and 350mm height, allowing them to be installed on pool with narrow raised end walls. Available with 3 platform configurations including an elite competition platform with track start adjustable to 5 positions. The track start wedge can tuck away at the rear of the footboard.

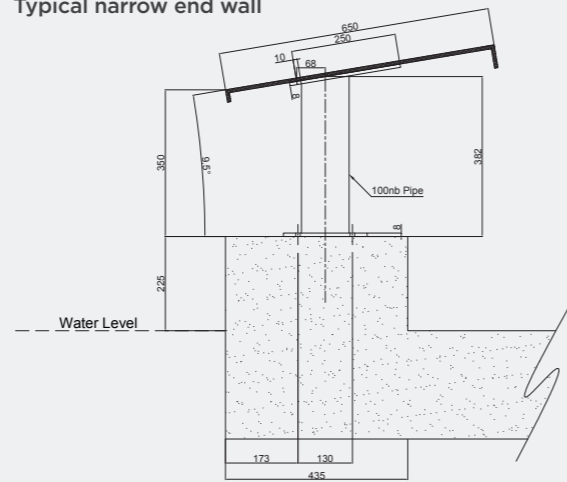
- Suitable for narrow end walls
- Durable, non-slip tread
- Adjustable track start on 650 Launch and Velocity models
- FINA compliant
- Base: 316 Stainless Steel

+ "No Dive" & Solarguard covers available



## BASE DIMENSIONS

Typical narrow end wall



## CUSTOM OPTIONS AVAILABLE

- Square post tubing
- Custom colour coatings



TrueTread™

## SR250 Base Short Reach Starting Block

Model/Item No.	Description	SHIPPING			
		Weight	Length	Width	Height
VELO-SR250F	Velocity w/ 250 Base - Flanged	25kg	600mm	620mm	480mm
650L- SR250	650 Launch w/ 250 Base - Flanged	28kg	650mm	605mm	480mm
600- SR250F	600 w/ 250 Base - Flanged	28kg	650mm	605mm	480mm

# RETROFIT PLATFORMS



650 launch platform shown

## Anti Wave retrofit platform upgrade

Platforms designed to upgrade existing starting blocks without replacing bases. Suitable for use with all Swimplex and PoolDeck tubular frame and flanged starting blocks.

- No re-earthing required
- Simply remove existing platform, mark and mount new block top with hardware included
- No new core-drilling or anchor mounting required
- Simple upgrade from entry level block to elite starting platform



TrueTread™ available on 650 launch platform



Before

After

## Anti Wave Retrofit Platforms

Model/Item No.	Description
25-61-600-S-R	Anti Wave Retrofit Platform - 600
25-61-650-TA-R	Anti Wave Retrofit Platform - 650 Launch

# BACKSTROKE LEDGE



## Easy to use starting device

The Anti Wave Backstroke Start Ledge is an easy to use and practical backstroke starting device for swimmers to perform top performance backstroke starts. The Backstroke Start Ledge includes 5 point manual height adjustment and is suitable for connection to all standard starting blocks including all Anti Wave Blocks.

Developed in consultation with Australian Swim Team members, the Ledge is simple to install and adjust on the pool by the swimmer or coach.

- Compatible with all standard block types, and adjustable to suit a range of swimmers needs including Masters as well as elite competition swimming and training
- Marine grade anodised aluminium body with non-slip surface, Nylon Protector End Caps and Polyester Webbing with SS316 Cam Buckle
- Adjustable to 5 positions to suit each swimmers needs using simple and durable StayPut and Eyelet system. Can be adjusted to +4cm above or -4cm below water level, as well as longer adjustments to suit Master/ Youth swimmers
- Meets FINA FR 2.10 Regulations, suitable for FINA Events



**DIMENSIONS:** 650mm long, 80mm tall, 20mm wide

**ANGLE OF WEDGE:** 10 degrees

**WEIGHT:** 0.85 kg

## Anti Wave Backstroke Ledge

Model/Item No.	Description	SHIPPING			
		Weight	Length	Width	Height
AWE350	Backstroke Starting Device FINA	.85kg	650mm	20mm	80mm

# STARTING BLOCK AND RACING PARTS & ACCESSORIES



## Backstroke Flags

Available in a variety of colours and lengths, to match your facility and fit your pool.

- Available in 15m and 30m lengths
- Red and white alternating flags are standard
- **+ Custom colours, logos and lengths available**



## Starting Block "No Dive" Platform Covers - Blue Vinyl

This blue vinyl cover protects your starting block from dirt and the elements.

- "No Diving" embellishment
- Fits all Anti Wave starting blocks



## Pace Clock (4 arms)

The Anti Wave Pace clock was designed specifically for top training facilities, and combines excellent design with functionality.

- 900mm x 900mm, wall hanging design
- Multi-coloured hands provide clear and easy reading from the water level

## Starting Block and Racing Accessories

Model/Item No.	Description
26-61-001	Backstroke Flags 15m (Red & White alternating)
26-61-002	Backstroke Flags 30m (Red & White alternating)
30-61-1016B	"No Dive" SMALL Platform Covers - Blue Vinyl
30-61-1016L	"No Dive" LARGE Platform Covers - Blue Vinyl
26-61-1017	ANTI Pace clock
17-61-005	Starting Block Anchor - Set of 4

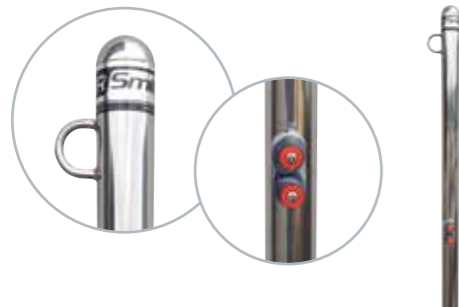
# STARTING BLOCK AND RACING PARTS & ACCESSORIES



## Deck Hole

The stainless steel deck hole accommodates backstroke or false start poles.

- 316L stainless steel
- Wide top flange to cover core hole
- 38mm and 48mm sizes available
- Centre insert to prevent toe entrapment



## Backstroke and False Start Poles

Poles slip in to a pool deck hole, and can be removed when not in use.

- 316L stainless steel
- 38mm and 48mm sizes available
- Includes welded loop and quick release T-cleat



## Track Start Adaptor

Provides a fixed track start option for existing platforms, with a simple bolt on installation.

- Durable, strong reinforced fiberglass
- Includes non-slip TrueTread surface
- 316L stainless steel hardware included

### Starting Block and Racing Accessories

Model/Item No.	Description
17-61-3813	Deck Hole SS 316 (38mm)
17-61-4813	Deck Hole SS 316 (48mm)
26-61-1014	False Start Rope 15m
26-61-1015	False Start Rope 30m
26-61-1014-1	False Start Rope - Custom Length (per metre)
4-61-3816	False Start/Backstroke Pole Only - 38mm x 1.6mm
4-61-3830	Heavy Duty False Start/Backstroke Pole Only - 38mm x 3mm
4-61-4816	False Start/Backstroke Pole Only - 48mm x 1.6mm
4-61-4830	Heavy Duty False Start/Backstroke Pole Only - 48mm x 3mm
30-61-1004	Trackstart Adaptor - Bolt on



GOALS  
FIELD LINES  
STORAGE  
PARTS & ACCESSORIES

# WATER POLO EQUIPMENT

# PRO 1080 GOAL



## Premium floating goal

The Anti Wave Pro Floating Goal was first introduced at the 1972 Olympic Games in Munich, Germany. This premium water polo goal features a powder coated aluminum frame, reinforced with fiberglass, and a tough, polypropylene net that is knotted at every intersection. The EVA foam floats offer superior, even flotation for maximum goal stability. Small deck wheels allow the goal to be moved easily along the pool deck.

- Full-sized competition floating goal
- Strong, powder-coated aluminium frame with 3m x .9m face
- Patented open corner net design to reduce ball rebound
- Net is tough polypropylene cord, knotted at every intersection
- Durable fibreglass flotation panels provide even position in the water



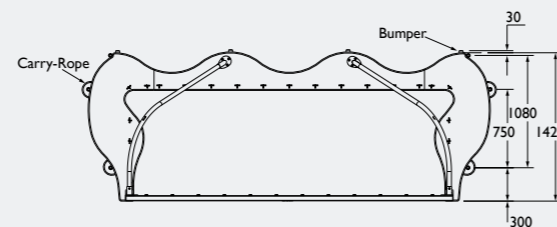
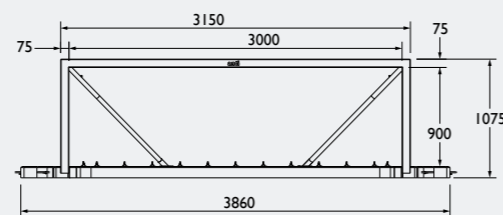
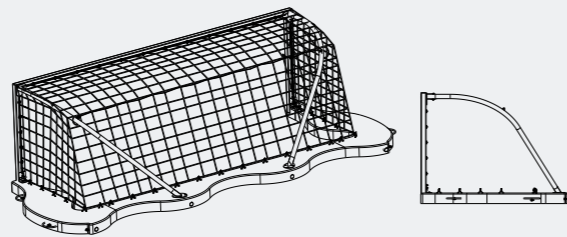
Suits current FINA standard: 1080mm player re-entry area

### Anti Wave Pro 1080 Goal

Model/Item No.	Description	SHIPPING			
		Weight	Length	Width	Height
14-61-1080	Anti Wave Pro 1080 Goal	50kg	320cm	110cm	15cm



## SPECIFICATIONS



# SENIOR 1080 FOLDING GOAL



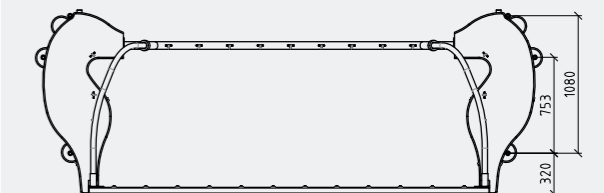
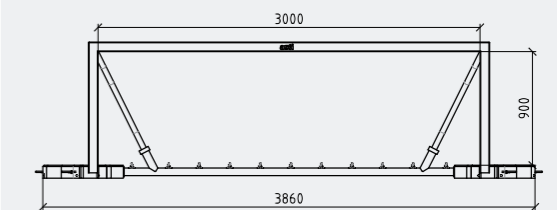
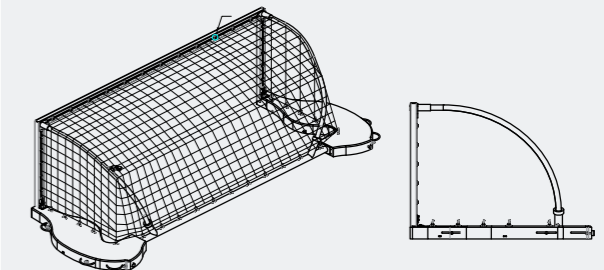
## Full-sized folding pro goal

The Anti Wave Senior Folding Pro Goal 1080 is a full-sized FINA Approved competition Polo goal, dimensionally the same as the Anti Pro Goal 1080, with the added benefit that it folds flat for easy pool side storage and movement. Easy to erect and put down - to fold just pull the Rear Arms out of their sockets and fold down the Front Frame for storage.

- Full-sized competition folding goal
- Fabricated from custom powder coated aluminium extrusions and hand-laid fibreglass floats for durability
- Front Frame dimensions: 3m x .9m
- Meets all relevant FINA and LEN competition specifications
- Net is Heavy Duty, polypropylene cord, knotted at every intersection
- Durable EVA closed cell foam floatation elements
- External carry handles assist with safe and easy pool deck transportation
- Nylon Pool edge bumpers on Rear of Goal prevent chipping of pool tiles and guttering
- Open corner net configuration to reduce ball rebound
- Anti Net Clip for easy Net Installation



## SPECIFICATIONS



### Anti Wave Senior 1080 Goal

Model/Item No.	Description	SHIPPING			
		Weight	Length	Width	Height
14-61-1080F	Anti Wave Senior 1080 Goal	49kg	320cm	110cm	15cm

# PRO 750 GOAL



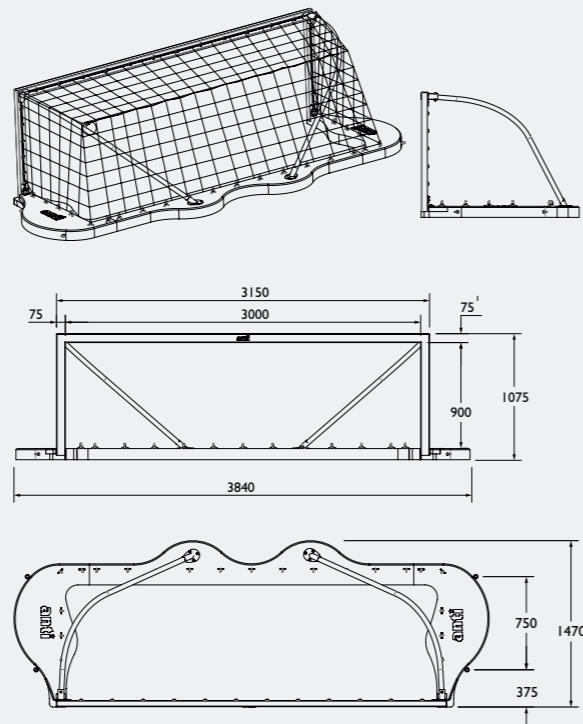
## Premium floating goal

This premium Anti Wave water polo goal features a powder coated aluminum frame, reinforced with fiberglass, and a tough, polypropylene net that is knotted at every intersection. The EVA foam floats offer superior, even flotation for maximum goal stability. Small deck wheels allow the goal to be moved easily along the pool deck.

- Full-sized competition floating goal
- Strong, powder-coated aluminium frame with 3m x .9m face
- Anchor points suit original 750mm player re-entry area
- Patented open corner net design to reduce ball rebound
- Net is tough polypropylene cord, knotted at every intersection
- Durable fibreglass flotation panels provide even position in the water
- Weighs: 30kg



### SPECIFICATIONS



## Anti Wave Pro 750 Goal

Model/Item No.	Description	SHIPPING			
		Weight	Length	Width	Height
14-61-0126	Anti Wave Pro 750 Goal	49kg	320cm	110cm	15cm

# CLUB FOLDING GOAL



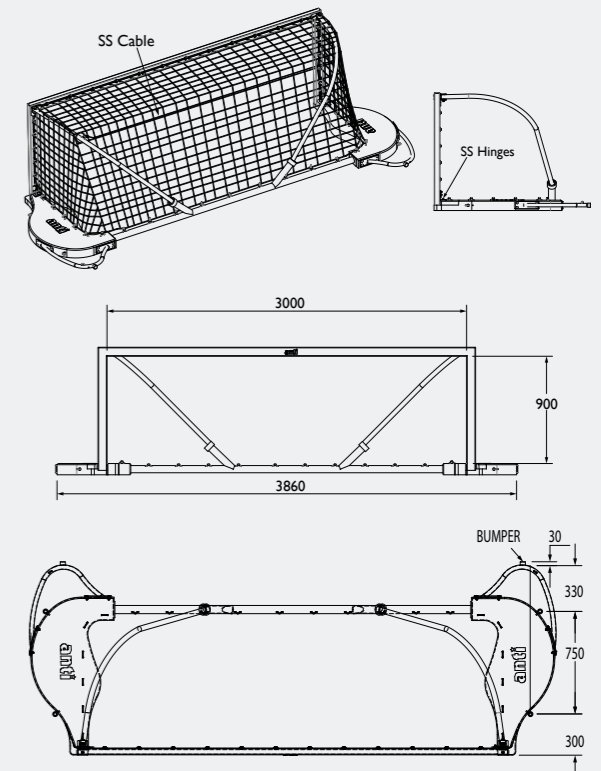
## Convenient competition goal

The Anti Wave Club Folding Goal conveniently folds flat for quick and simple storage. The net is made from tough polypropylene cord, and is knotted at every intersection and the patented, open-corner net configuration reduces ball rebound.

- Full-sized competition floating goal
- Strong, powder-coated aluminium frame, with 3m x .9m face
- Anchor points suit original 750mm player re-entry area
- Foldable for easy transporting and storage
- Net is tough polypropylene cord, knotted at every intersection
- Durable fibreglass flotation panels provide even position in the water



### SPECIFICATIONS



## Anti Wave Club Folding Goal

Model/Item No.	Description	SHIPPING			
		Weight	Length	Width	Height
14-61-0128	Anti Wave Club Folding Goal	44kg	320cm	110cm	15cm



# FLIPPA FOLDING GOAL



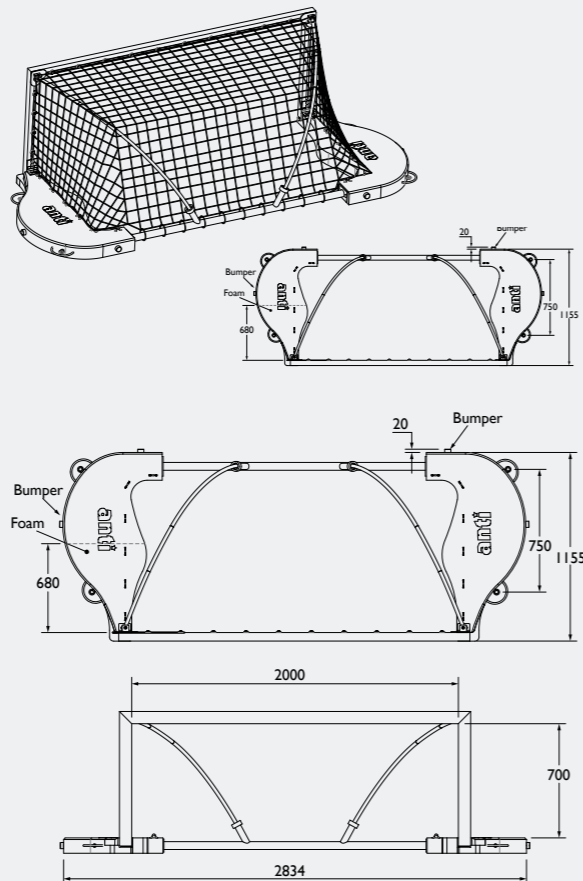
## Compact junior sized goal

The Anti Wave Flippa Folding Goal conveniently folds flat for quick and simple storage. The net is made from tough polypropylene cord, and is knotted at every intersection. The patented, open-corner net configuration reduces ball rebound.

- Junior sized floating goal
- Strong, powder-coated aluminium frame, with 2m x .7m face
- Foldable for easy transporting and storage
- Net is tough polypropylene cord, knotted at every intersection
- Durable fibreglass flotation panels provide even position in the water



## SPECIFICATIONS



### Anti Wave Club Folding Goal

Model/Item No.	Description	SHIPPING			
		Weight	Length	Width	Height
14-61-0123	Anti Wave Flippa Folding Goal	31kg	220cm	100cm	15cm

# CLUB WALL GOAL



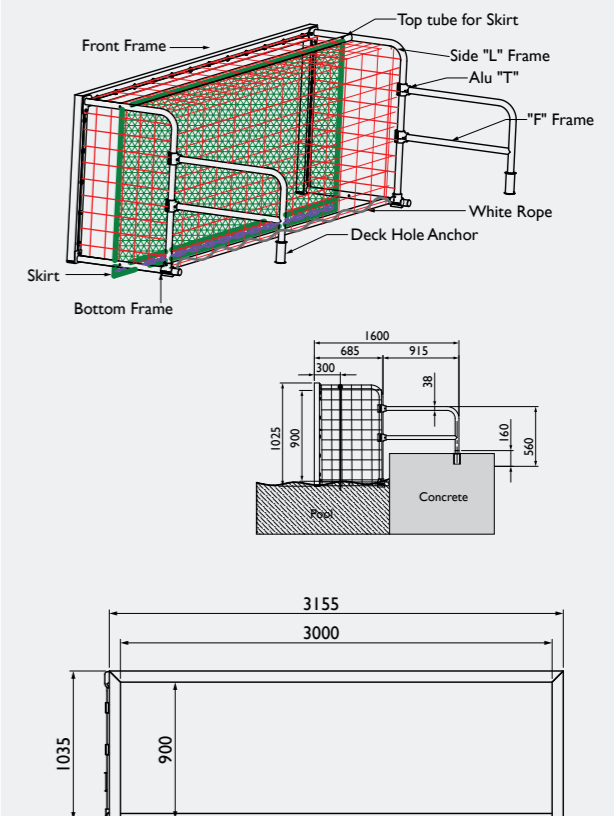
## Wall anchored goal

The Anti Wave Club Wall Goal anchors directly into the pool deck or bulkhead via two rear support arms that can be fully adjusted both vertically and horizontally to fit existing deck anchors. The polypropylene net is knotted at every intersection, and completely covers the back and sides of the goal. The back drape net is made of heavy-duty canvas, and features a weighted bottom strip for even hanging.

- Full-sized training and social games goal
- Adjustable to fit most deep or shallow end pools
- Strong, powder-coated aluminium frame, with 3m x .9m face
- Net is tough polypropylene cord, knotted at every intersection
- Heavy-duty canvas back drape is weighted for smooth backdrop
- Two deck anchors included



## SPECIFICATIONS



### Anti Wave Club Wall Goal

Model/Item No.	Description	SHIPPING			
		Weight	Length	Width	Height
14-61-0129	Anti Wave Club Wall Goal	13kg	320cm	110cm	15cm

# WATER POLO FIELD LINES



## When performance counts

Our unique Anti Wave, patented design is proven to reduce wave action and creates multidimensional barrier against waves by dispersing them along the lane line, through each individual freely spinning lane disc, and then down into the water.

- All discs are made from top specification UV Stabilised advanced thermoplastics
- Includes the SuperTensioner for safe, easy tightening of lane lines
- Cable is SS316 with diameter of 3.1mm and max force of 5kn - allowing higher tension and more effective wave dissipation

+ Custom disc colours available upon request

MADE IN AUSTRALIA

FINA APPROVED

UV STABILISED DISCS

PATENTED DESIGN

**DIAMETER WIDTHS**

110 mm

125 mm

150 mm

**6 STANDARD COLOUR OPTIONS**

white

red

yellow

blue

green

black

## Anti Wave Lane Lines assembled with SuperTensioner and Long Clamp with S-Hook


Model/Item No.	Description
14-61-2501	Water Polo Field Lines with Anchor Lines - MIDI
14-61-3501	Water Polo Field Lines with Anchor Lines - MYTI
14-61-4501	Water Polo Field Lines with Anchor Lines - MAXI
14-61-249T	Water Polo Goal Anchor Lines - MIDI
14-61-349T	Water Polo Goal Anchor Lines - MYTI
14-61-449T	Water Polo Goal Anchor Lines - MAXI
14-61-250T	Water Polo Field Side Lines - MIDI
14-61-350T	Water Polo Field Side Lines - MYTI
14-61-450T	Water Polo Field Side Lines - MAXI

## Anti Wave Custom Lane Line Configurations

Model/Item No.	Description
12-61-200-99	110mm diameter MIDI (per metre)
12-61-300-99	125mm diameter MYTI (per metre)
12-61-400-99	150mm diameter MAXI (per metre)

Note: SuperTensioner, Long Clamp with S-Hook or Snap Hook must be ordered separately

# WATER POLO EQUIPMENT PARTS & ACCESSORIES



### Mobile Storage Bin

Keep water polo equipment and games stowed and secure. Storage bin can collapse for storage when it is not needed. Includes wheels and handle for movement.

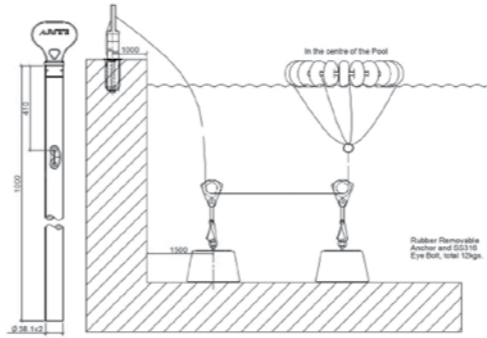
- Powder coated aluminum
- Size: 96cm x 76cm x 71cm


MADE IN AUSTRALIA

POWDER COATED ALUMINIUM

### Ball Release System

Get a consistent and accurate start to every game. The starting ring is held in place inside the playing field by weights resting on the pool floor. The ring is pulled under water, and the ball released as players approach the ball.





## Water Polo Equipment Accessories

Model/Item No.	Description	SHIPPING			
		Weight	Length	Width	Height
14-61-0101	Anti Wave Foldable Storage Bin	24.5kg	1000mm	780mm	280mm
14-61-132B	Replacement Bump Stops (Pack of 2)				
14-61-132E	Replacement Eyelets (Pack of 6)				
14-61-132H	Replacement Hinge (Pack of 2)				
14-61-132S	Replacement Slide Bolts (Pack of 6)				
14-61-0125	Water Polo Goal Net (Pro and Club Goals)				
14-61-0130	Anti Wave Replacement Net (Club Series Wall Goal)				
14-61-0121	Water Polo Goal Net (Flippa Goals)				
30-61-1003	Replacement Canvas Anti Wave Club Wall Goal				
14-61-1002	Ball Release System				
14-61-131	Replacement Floatation Foam - Pro Series & Folding Goals (2pcs)				
17-61-007	Deck Anchors for Club Series Wall Goal (set of 2)				
5-61-005	Water Polo Goal Rope - WHITE				



# POOL ACCESS FIXED LIFTS



## aXs2 Fixed Pool Lift

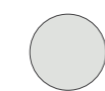
A low profile pool lift that is an ideal access solution for community, aged-care and rehabilitation swimming pools. The aXs2 lift installs into your pool deck via a locking anchor.

- 360° rotation for transfer safety and flexibility
- Compact design requires minimal deck space
- Integrated armrests
- Sturdy and generous rotomolded seat
- LiftOperator® Intelligent Controller with 24V battery
- Full range of operation from remote control and control box
- Powder-coated stainless steel and aluminum construction
- Includes: battery, charger, battery console cover, water-resistant hand control, stainless steel anchor socket with cover, footrest and seat belt assembly, and armrests
- Lifting capacity: 136kg

### AVAILABLE PARTS & ACCESSORIES

- aXs2 Cover
- Locking Anchor & Cap
- Stability Vest
- Spine Board Attachment
- Battery

### COLOUR



Gray Mist



Includes trolley for easy removal and storage

## Splash! Fixed Pool Lift

Designed for swimming facilities seeking to provide user-friendly access to their swimming pools. The Splash! Lift installs into your pool deck via anchor, and can be easily removed with the included caddy. Also available in an Extended Reach version for use on pools with gutter configurations requiring a longer reach.

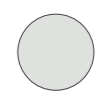
- 344° rotation helps ensure safe transfer
- Easy to move by one person
- LiftOperator® Intelligent Controller with 24V battery
- Powder-coated stainless steel and aluminum construction
- Includes: battery, charger, battery console cover, water-resistant hand control, stainless steel anchor socket with cover, footrest and seat belt assembly, caddy and armrests
- Lifting capacity: 181.5kg\*

\*Lifting capacity of the Extended Reach model is 136kg. Refer to the owner's manual at [www.srsmith.com/au](http://www.srsmith.com/au) for more details.

### AVAILABLE PARTS & ACCESSORIES

- Splash! Cover
- Locking Anchor & Cap
- Stability Vest
- Spine Board Attachment
- Battery

### COLOUR



Gray Mist

# ACCESSIBILITY EQUIPMENT

LIFTS

MOBILE CHAIRS

AQUATIC STAIRS

PARTS & ACCESSORIES

### Pool Access Fixed Lifts

Model/Item No.	Description	SHIPPING (AXS2 ships in 2 boxes)			
		Weight	Length	Width	Height
310-0000EU	aXs2	46kg 16kg	140cm 61cm	48cm 61cm	36cm 69cm
300-0000EU	Splash!	127kg	102cm	122cm	152cm
370-0000EU	Splash! Extended Reach	152kg	102cm	122cm	198cm

# POOL ACCESS FIXED LIFTS



Includes space-saving foldable seat

Shown with optional wheel-away kit

## multiLift™ Pool Lift with Folding Seat

A flanged pool lift, with left or right side mounting and folding seat.

- Integrated arm rests
- Retrofit anchor jig is standard
- Folding seat assembly
- LiftOperator® Intelligent Controller
- Powder-coated stainless steel and aluminum construction
- Lifting capacity: 159kg

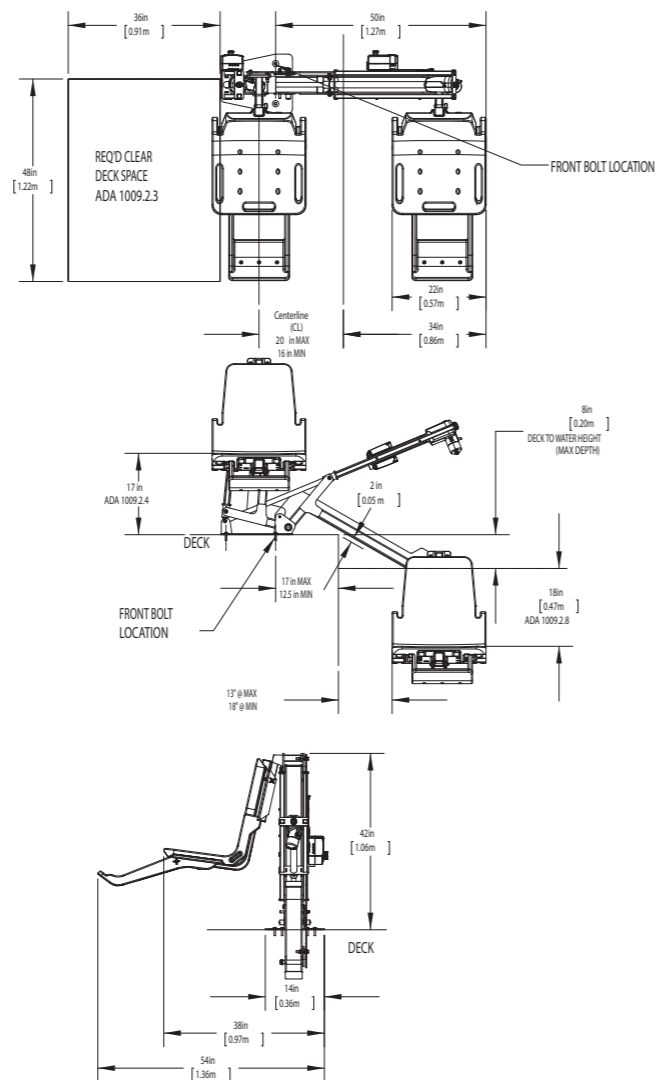
### AVAILABLE PARTS & ACCESSORIES

- Battery
- Folding Seat Cover
- Folding Seat
- Stability Vest
- Seat Pad
- Seat Saver Cover
- Armrest Assembly, gray, left & right

### COLOUR



Gray Mist



### Pool Access Fixed Lifts

Model/Item No.	Description	SHIPPING (AXS2 ships in 2 boxes)			
		Weight	Length	Width	Height
575-0100	Multilift (with folding seat)	104kg	127cm	61cm	72cm
500-5500	Multilift Wheel-A-Way Kit	104kg	127cm	61cm	72cm

# POOL ACCESS MOBILE LIFTS



## PAL2 Mobile Pool Lift

A free-standing pool lift that is sleek and modern design with an attractive matte finish. Standard features include the LiftOperator Intelligent Control (mounted on the mast), a 24-volt rechargeable battery, waterproof hand control, armrests, footrest and seatbelt assembly.

- 240° rotation helps ensure safe transfer
- Easy to move by one person
- LiftOperator® Intelligent Controller\* conveniently located on the mast - includes 24 Volt rechargeable battery
- Powder-coated stainless steel and aluminum construction
- Includes: battery, charger, battery console cover, water-resistant hand control, footrest, seatbelt assembly, and armrests
- Lifting capacity: 136kg

### AVAILABLE PARTS & ACCESSORIES

- PAL Series Cover
- Stability Vest
- Spine Board Attachment
- Battery

### COLOUR



Gray Mist

## PAL® HI-LO Mobile Pool Lift

The popular PAL Hi-Lo has become the industry standard for providing access to facilities that have both in-ground pools and raised spas. It is a portable, free-standing pool lift with a 240° rotation that aids in a safe transfer area. Extended vertical range.

- 240° rotation helps ensure safe transfer
- Easy to move by one person
- LiftOperator® Intelligent Controller\* conveniently located on the mast - includes 24 Volt rechargeable battery
- Powder-coated stainless steel and aluminum construction
- Includes: battery, charger, battery console cover, water-resistant hand control, footrest, seatbelt assembly, and armrests
- Lifting capacity: 136kg

### AVAILABLE PARTS & ACCESSORIES

- PAL Series Cover
- Stability Vest
- Spine Board Attachment
- Battery

### COLOUR



Gray Mist

### Pool Access Mobile Lifts

Model/Item No.	Description	SHIPPING			
		Weight	Length	Width	Height
202-0000EU	PAL2	547kg	102cm	126cm	145cm
250-0000EU	PAL Hi/Lo	547kg	102cm	122cm	152cm

# POOL ACCESS PLATFORM LIFT

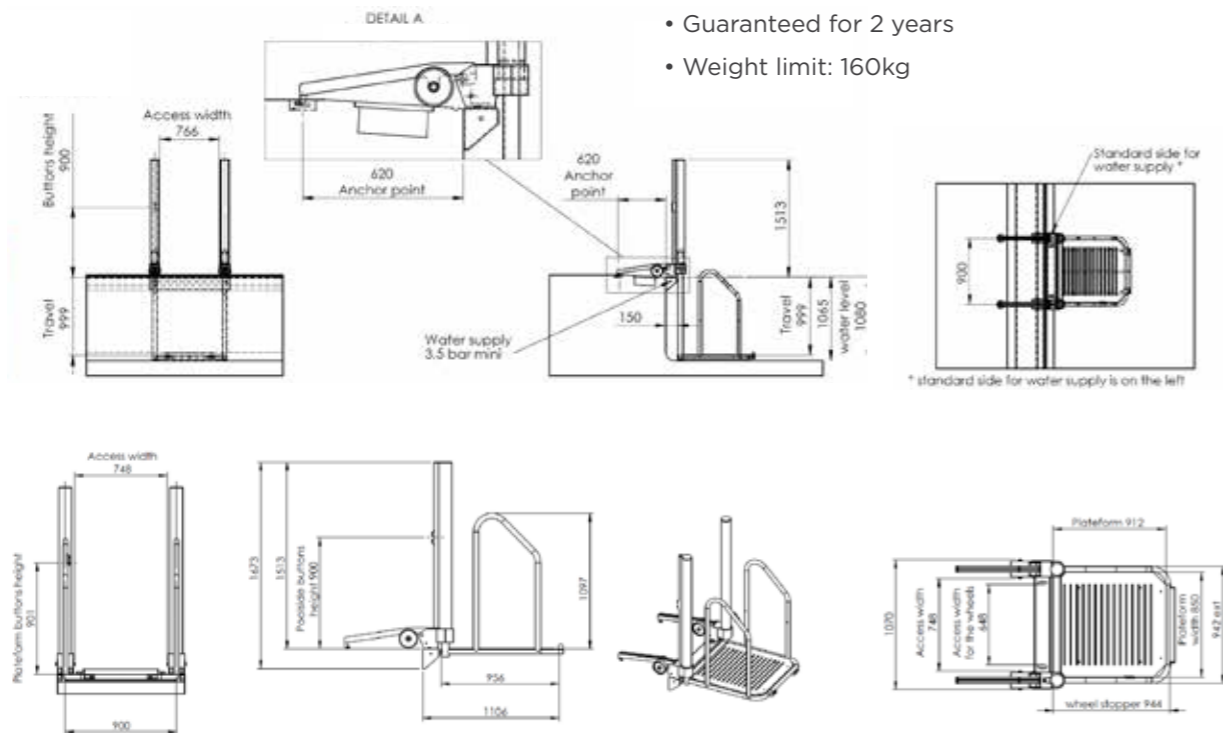


## Mobile Hydraulic Platform Lift

A hydraulic driven Mobile Platform Lift that allows users to descend into the pool from an aquatic chair or from a standing position. Designed with in-deck mounting points, electro-polished 316L stainless steel and high-density polyethylene construction. Using an in-built dual pressure control panel the user can independently descend into the pool.

Typical lift design for pools with overflow gutters

- Hydraulic drive connected to water supply (Minimum pressure 3 bars)
- Simple retro-fit installation
- Simple user controls (from deck or on platform)
- Includes protective cover
- Foldable for storage
- Custom designed to suit any pool deck profile
- Typical design to accommodate overflow gutter (shown below)
- Patented and CE certified
- Guaranteed for 2 years
- Weight limit: 160kg



## Pool Access Platform Lifts

Model/Item No.	Description
LM-10	LM-10 Platform Lift

# POOL ACCESS AQUATIC STAIRS & CHAIR



## MAC (Mobile Aquatic Chair)

Essential for facilities utilising a ramp, zero-depth entry or movable floor. The MAC is built specifically for use in aquatic environments with a powder coated stainless steel frame to resist corrosion and a swing away arm for easy transfer.

- Front and rear stabiliser wheels eliminate the tendency of a chair to pitch forward or back while going down the ramp
- Unibody frame construction for increased durability
- Arm rests flip up for easy transfer on and off the chair
- Powder-coated stainless steel frame resists corrosion
- Rigid roto-molded plastic seat aids in user transfer by providing a stable platform that can be used for transfer support
- Weight capacity: 136kg

## Mobile Aquatic Stairs

Aquatic stairs are easily rolled in to position along the pool deck to assist individuals with limited mobility with pool entry.

- Provides independent access for all users with limited mobility
- Anchors to pool deck with 2 deck sockets (included)
- Fully mobile and removeable for storage
- Corrosion free composite materials
- 3 sizes available
- Load rating: 200kg

## Pool Access Aquatic Stairs & Chair

Model/Item No.	Description	SHIPPING			
		Weight	Length	Width	Height
MAS-105	Mobile Aquatic Stairs 1000mm				
MAS-106	Mobile Aquatic Stairs 1200mm				
MAS-107	Mobile Aquatic Stairs 1500mm				
AC0000	MAC (Mobile Aquatic Chair)	27kg	109cm	64cm	56cm

# POOL ACCESS ATTACHMENTS



## Pool Sling Lift Attachment

Strong, mesh sling seat assembly attaches to both the PAL2 and Splash! pool lift and is an optional accessory that can be used instead of the rotomolded seat.



## Spine Board Attachment

The Spine Board Attachment works with any standard spine board (not included). Simply remove the chair assembly by pulling the attachment pin and replace that assembly with the Spine Board Attachment. One person can easily extract an injured person from a pool, keeping the injured person fully supported during the procedure.

### Pool Access Attachments

Model/Item No.	Description	SHIPPING			
		Weight	Length	Width	Height
550-2000	Pool Sling Lift	31kg	220cm	100cm	15cm
900-6000	Stability Strap				
500-1000	Spine Board Attachment				



## Stability Strap

The stability strap was designed to facilitate the transfer of individuals with limited or no independent upper body or trunk stability. The strap attaches the user to the chair, strapping them in for support. Compatible with all models of S.R.Smith pool lifts manufactured after June 2016.

Spineboard attachment shown on PAL lift



# ACCESSIBILITY EQUIPMENT PARTS & ACCESSORIES



## PAL & Splash! Lift Cover

On the PAL2, the cover protects the seat and actuator arm. On the Splash! lift, the cover protects the seat, actuator arm, and base.



## Splash Caddy

Facilitates handling, transporting and storing a Splash! pool lift. Made from powder coated steel for surface protection. Caddies simplify insertion and removal of the connector shaft into the pool deck.



## Batteries & Chargers

All pool lifts are powered by a 24 volt, rechargeable battery. The battery should be left on the charger when not in use.



## Sign "Lift Available"

This 23cm x 30cm metal sign can be posted at your facility to let guests know about your pool lift.

### Accessibility Equipment Accessories

Model/Item No.	Description
920-5000	Pool Lift Cover
300-6200L	Locking Square Deck Anchor w/ Cap
400-0000	Splash Caddy (Assem in Box)
1001495	Lift Operator Replacement Battery
1001530	Lift Operator Charger (must be purchased with Adaptor Kit)
1001535	Lift Operator Adaptor Kit (must be purchased with Charger)
1001600	Lift Operator Hand Control
1001550EU	Lift Operator Upgrade Kit
100-2000	Linak Replacement Battery
100-3030	Linak Charger
100-5000A	Actuator Assembly (LA34)
400-7000	Lift Operator Control Box
900-5000	Sign "Lift Available"



# FUN FORMS AQUA SPOUTS



## Kirby Crab

Perfect for any aquatic play setting, Aqua Spouts are designed to complete any theme. These low level features keep toddlers in mind with a variety of gentle water effects. Tactile Button Wireless Activators are available for some Aqua Spouts.

FLOW - 30.3 LPM

PRESSURE - .28 BAR

L/W/H - 330mm | 355mm | 150mm

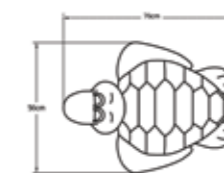
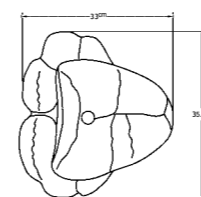
## Tommy Sea Turtle

Perfect for any aquatic play setting, Aqua Spouts are designed to complete any theme. These low level features keep toddlers in mind with a variety of gentle water effects. Tactile Button Wireless Activators are available for some Aqua Spouts.

FLOW - 11.4 LPM

PRESSURE - 1.03 BAR

L/W/H - 760mm | 560mm | 200mm



### Fun Forms Aqua Spouts

Model/Item No.	Description
F3000	Kirby Crab Aqua Spout
F3010	Tommy Sea Turtle Aqua Spout

POOL SLIDES

WATER SPRAYERS

POOL VOLLEYBALL

POOL BASKETBALL

# WATER PLAY EQUIPMENT

# FUN FORMS AQUA SPRAYER & SLIDE

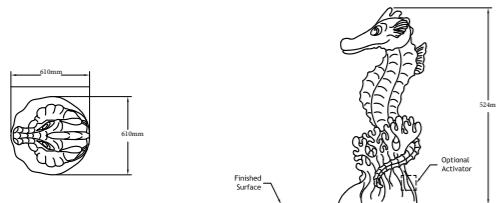
# FUN FORMS AQUA SLIDES



## Seabiscuit Aqua Sprayer

Fun Forms Aqua Sprayers™ are perfect for any aquatic play setting. Designed to complete any theme, these sprayers appeal to ages 3 and up. Aqua Sprayers offer wide variety of water effects such as misters, fans, and streams. Combinations of effects add play value to these unique spray features. Tactile Button wireless activators and Flow Fluxuators™ are available for Aqua Sprayers.

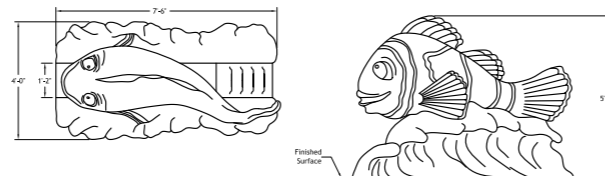
FLOW - 68.1 LPM  
PRESSURE - .48 BAR  
L/W/H - 760mm | 760mm | 520mm  
Options: Activator



## Carl Clown Fish

Fun Forms Aqua Slides are great additions to any aquatic play setting. Aqua Slides meet ASTM requirements and are offered in various sizes to fulfill the needs of three different age groups: Ages 2-4, 4-8, and 8 & Up. Aqua Slides with optional water effects are available with Tactile Button wireless activators or Flow Fluxuators™.

FLOW - 30.3 LPM @ .21 bar  
PRESSURE - 113.6 LPM @ .34 bar  
L/W/H - 2030mm | 1220mm | 1370mm  
Small | Single Chute: Ages 2 to 4  
Options: Activator, Flow Fluxuator



### Fun Forms Aqua Sprayer & Slide

Model/Item No.	Description
F2013	Seabiscuit Aqua Sprayer
F1004	Carl Clown Fish Slide

## Calvin Clam

Fun Forms Aqua Slides are great additions to any aquatic play setting. Aqua Slides meet ASTM requirements and are offered in various sizes to fulfill the needs of three different age groups: Ages 2-4, 4-8, and 8 & Up. Aqua Slides with optional water effects are available with Tactile Button wireless activators or Flow Fluxuators™.

FLOW - 30.3 LPM @ .21 bar  
PRESSURE - 136.3 LPM @ .34 bar  
L/W/H - 2030mm | 1370mm | 1370mm  
Small | Single Chute: Ages 2 to 4  
Options: Activator, Flow Fluxuator

## Tommy Tugboat

Fun Forms Aqua Slides are great additions to any aquatic play setting. Aqua Slides meet ASTM requirements and are offered in various sizes to fulfill the needs of three different age groups: Ages 2-4, 4-8, and 8 & Up. Aqua Slides with optional water effects are available with Tactile Button wireless activators or Flow Fluxuators™.

FLOW - 30.3 LPM @ .21 bar  
PRESSURE - 189.3 LPM @ .34 bar  
L/W/H - 2030mm | 1220mm | 1370mm  
Small | Single Chute: Ages 2 to 4  
Options: Activator, Flow Fluxuator

Controllers and manifolds available for operation of multiple water features

Contact **S.R.Smith** for more aquatic play equipment options including custom designs

### Fun Forms Aqua Slides

Model/Item No.	Description
F1114	Calvin Clam Slide
F1003	Tommy Tug Boat Slide



# VORTEX<sup>®</sup> SLIDE

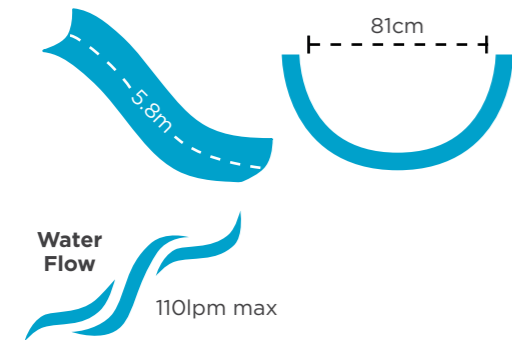
## Great for Kids of All Ages!

The flexibility of this slide is perfect for commercial or high-end residential applications. The high-volume water delivery system gives you up to 110 litres of water per minute.

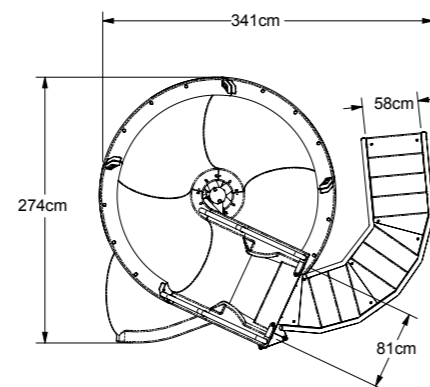
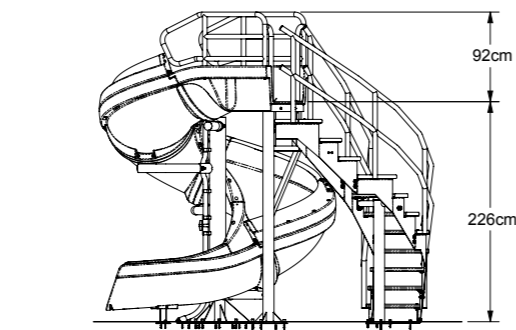
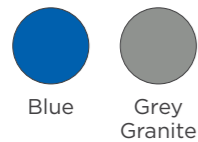
- Height: 3.26 metres overall, 2.3 metres to the seat. Corkscrew flume is 5.8 metres in length
- Required deck space: 3.5 metres x 3 metres (with staircase), or 3 x 3 metre (with ladder)
- Weight limit: 148kg - Children must be supervised at all times when using this slide
- Closed flume with spiral staircase
- Compliant with US CPSC safety standard



### FLUME DETAILS



### COLOURS



### Vortex<sup>®</sup> Slide

Model/Item No.	Description	SHIPPING (Vortex Slide ships a 2 pallets)			
		Weight	Length	Width	Height
695-209-43	Closed flume with staircase, Blue	844kg	325cm 381cm	145cm 99cm	183cm 122cm
695-209-424	Closed flume with staircase, Gray Granite	844kg	325cm 381cm	145cm 99cm	183cm 122cm

# POOL GAMES



## RockSolid<sup>®</sup> Extended Reach Basketball Game

Extended Reach version, with a 76cm setback that works well in commercial aquatic facilities with wide overflow or parapet gutters.

- Specifications: 76cm setback to centre of anchor. Commercial grade 6.35cm square, 316 marine grade stainless steel frame
- Constructed from heavy duty commercial grade materials
- SealedSteel<sup>®</sup> vinyl-coating to prevent corrosion
- Removable design (includes RockSolid<sup>®</sup> anchor with safety anchor cap)



## Swim N' Spike Volleyball Game

Includes black, vinyl-coated posts, a competition quality net, water volleyball and needle.

- Constructed from heavy duty commercial grade materials
- Marine Grade 316 stainless steel
- Removable design (Includes deck anchors with safety anchor caps)



## Swim N' Dunk RockSolid<sup>®</sup> Basketball Game

Includes regulation rim, net, basketball, needle and anchor.

- Specifications: 31cm setback to centre of anchor. 48mm diameter, 316 marine grade stainless steel, vinyl coated frame
- Constructed from heavy duty commercial grade materials
- SealedSteel<sup>®</sup> vinyl-coating to prevent corrosion
- Removable design (includes RockSolid<sup>®</sup> anchor with safety anchor cap)

### Pool Games

Model/Item No.	Description	SHIPPING			
		Weight	Length	Width	Height
S-VOLY20-MG	Swim N' Spike Volleyball Game	10kg	140cm	25cm	25cm
S-BASK-ERS-ER-MG	RockSolid <sup>®</sup> Extended Reach Basketball Game	30.8kg	124.5cm	86cm	20cm
S-BASK-ERS-MG	Swim N' Dunk RockSolid <sup>®</sup> Basketball Game	31kg	124cm	86cm	20cm



LOUNGERS

SEATING

TABLES

# IN POOL FURNITURE

## DESTINATION SERIES LOUNGER & SEATING



### Destination Lounger™

The Destination Lounger™ lets you relax and enjoy the pool without a splash. Ideal for hotel and resort pools.

- For use on a pool ledge with water depths up to 30cm
- High-quality RTM composite material
- UV protection to resist fading
- Compatible with all pool types, including vinyl
- Exclusive colours and visual textures
- Patent pending fill system eliminates buoyancy
- Easy to drain and remove when not in use

#### COLOURS



### Pool Seat

The Destination Series Pool seats are designed to create spaces for conversation and relaxation and are ideal for the hotel and resort pool environment.

- 41cm Round Seats
- Seats anchor into 48mm anchor
- Perfect for concrete and vinyl pools
- Products are easily removable without tools
- Salt pool friendly

#### COLOURS



### Pool Access Aquatic Stairs & Chair

Model/Item No.	Description	SHIPPING			
		Weight	Length	Width	Height
DS-1-60	Destination Lounger Starry Night	11kg	171cm	56cm	45cm
DS-1-61	Destination Lounger Seashell	11kg	171cm	56cm	45cm
WS-POOLSEAT-60-C	Pool Seat Starry Night				
WS-POOLSEAT-61-C	Pool Seat Seashell				

# DESTINATION SERIES TABLES



## Sun Shelf Table

The Destination Series Pool tables provide the perfect complement to pool seats and loungers. Available with cup holders and umbrella holes, they help to create spaces for conversation and relaxation and are ideal for the hotel and resort pool environment.

- 41cm Round Table
- Table anchors into 48mm anchor
- Perfect for concrete and vinyl pools
- Products are easily removable without tools
- Salt pool friendly

## Pool or Spa Table

The Destination Series Pool tables provide the perfect complement to pool seats and loungers. Available with cup holders and umbrella holes, they help to create spaces for conversation and relaxation and are ideal for the hotel and resort pool environment.

- 76cm Round Table
- Seats anchor into 48mm anchor
- Perfect for concrete and vinyl pools
- Products are easily removable without tools
- Salt pool friendly

### COLOURS



### COLOURS



### Destination Series Seating & Tables

Model/Item No.	Description
WS-16TABLE-60-C	Sun Shelf Table 41cm Starry Night
WS-16TABLE-61-C	Sun Shelf Table 41cm Seashell
WS-POOLTABLE-60-C	Pool Or Spa Table 76cm Starry Night
WS-POOLTABLE-61-C	Pool Or Spa Table 76cm Seashell



- DESIGNER RAILS & LADDERS
- STANDARD RAILS & LADDERS
- CUSTOM RAILS & LADDERS
- CUSTOM COATINGS

# RAILS & LADDERS

# DESIGNER RAILS & LADDERS

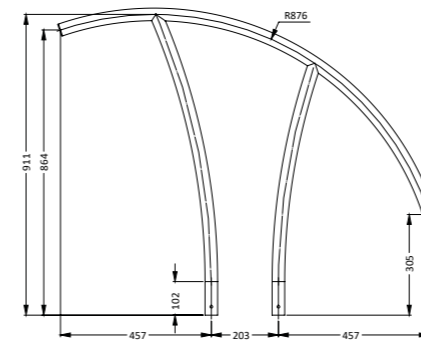
Artisan and Meridian Designer Rails provide an elegant, custom look for commercial swimming pools, resorts and hotels.



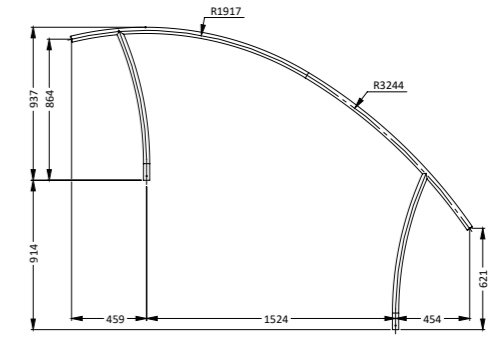
- 50mm OD Tubing
- 316L Marine Grade Stainless Steel
- 1.6mm wall thickness
- Flanged models available

## Designer Rails & Ladders

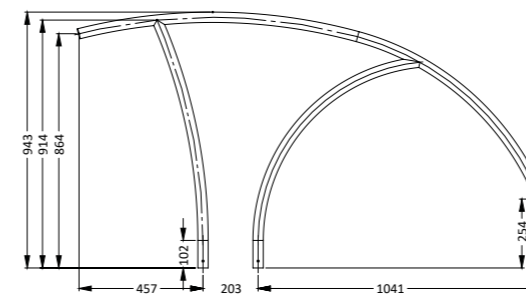
Model/Item No.	Description
ART-1001-MG	Artisan Series Hand Rail (deck mounted - standard)
ART-1001-MGF	Artisan Series Hand Rail (deck mounted - flanged)
ART-1002-MG	Artisan Series Stair Rail
ART-1004-MG	Artisan Series Stair Rail (deck mounted - standard)
ART-1004-MGF	Artisan Series Stair Rail (deck mounted - flanged)
ART-1005-MG	Artisan Series Hand Rail (deck mounted - standard)
MER-1001S-MG	Meridian Series Hand Rail (deck mounted - standard)
MER-1002-MG	Meridian Series Stair Rail
MER-1004-MG	Meridian Series Stair Rail (deck mounted - standard)
SR-SS-REJUV-KIT	Stainless Steel rejuvenation Kit



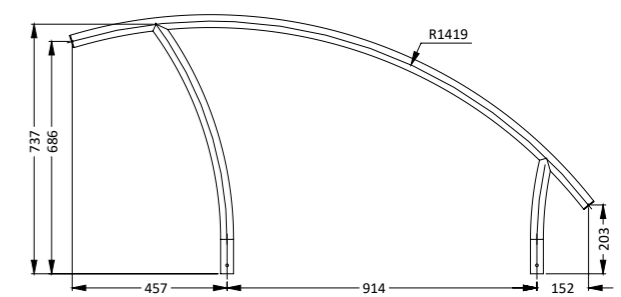
**Artisan Series Hand Rail**  
(ART-1001-MG)



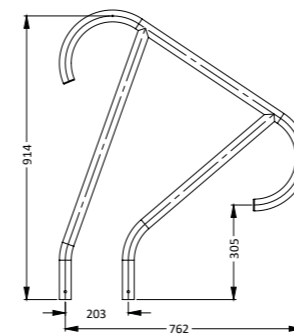
**Artisan Series Stair Rail**  
(ART-1002-MG)



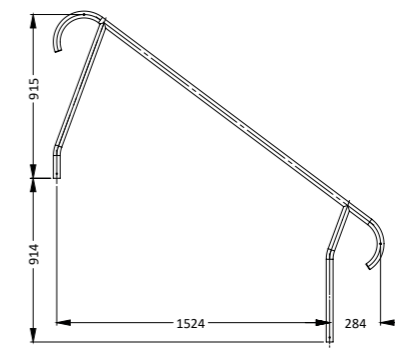
**Artisan Series Stair Rail**  
(ART-1004-MG)



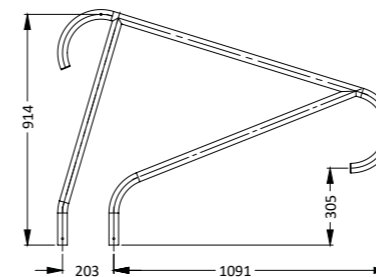
**Artisan Series Hand Rail**  
(ART-1005-MG)



**Meridian Series Hand Rail**  
(MER-1001S-MG)



**Meridian Series Stair Rail**  
(MER-1002-MG)



**Meridian Series Stair Rail**  
(MER-1004-MG)

# STANDARD RAILS & LADDERS

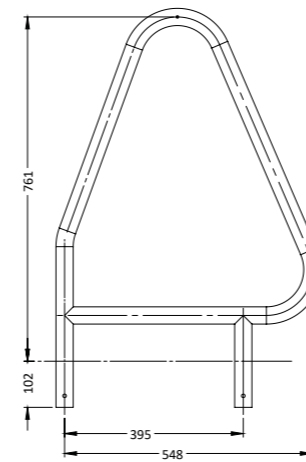
Offering a wide range of hand-crafted traditional models to suit every application.

- 38mm OD Tubing
- 316L Marine Grade Stainless Steel
- 1.6mm wall thickness
- Flanged models available

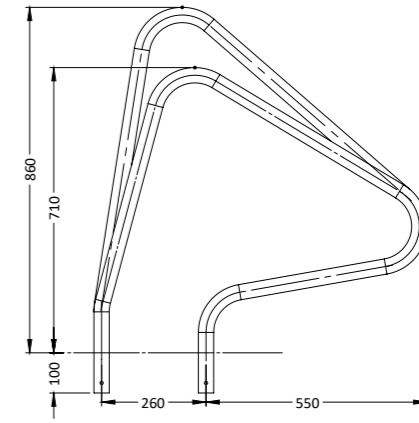


## Standard Rails & Ladders

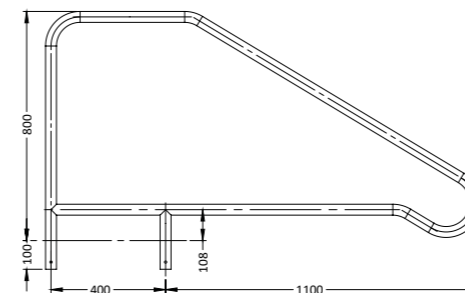
Model/Item No.	Description
SR-6S	Triangle Grab Rail - Standard (pair)
SR-6F	Triangle Grab Rail - Flanged (pair)
SR-7S	Dual Height Figure 4 Grab Rail - Standard
SR-7F	Dual Height Figure 4 Grab Rail - Flanged
SR-GS	Long Sturdy Stair Rail - Standard (single)
SR-GF	Long Sturdy Stair Rail - Flanged (single)
DMS-102F	DMS Deck Mounted Stair Rail - 48mm Tube - Flanged
DMS-102S	DMS Deck Mounted Stair Rail - 48mm Tube - Standard
SR-8S	Pretzel Grab Rail - Standard (pair)
SR-8F	Pretzel Grab Rail - Flanged (pair)
SR-CS-2	Commercial Two-Step Ladder - Standard
SR-CFT-2	Commercial Two-Step Ladder - Flanged Top
SR-CF-2	Commercial Two-Step Ladder - Flanged Top & Bottom
SR-CS-3	Commercial Three-Step Ladder - Standard
SR-CFT-3	Commercial Three-Step Ladder - Flanged Top
SR-CF-3	Commercial Three-Step Ladder - Flanged Top & Bottom
SR-CS-4	Commercial Four-Step Ladder - Standard
SR-CFT-4	Commercial Four-Step Ladder - Flanged Top
SR-CF-4	Commercial Four-Step Ladder - Flanged Top & Bottom
SR-WS-2	Gutter Two-Step Ladder - Standard
SR-WFT-2	Gutter Two-Step Ladder - Flanged Top
SR-WF-2	Gutter Two-Step Ladder - Flanged Top & Bottom
SR-WS-3	Gutter Three-Step Ladder - Standard
SR-WFT-3	Gutter Three-Step Ladder - Flanged Top
SR-WF-3	Gutter Three-Step Ladder - Flanged Top & Bottom
SR-WS-4	Gutter Four-Step Ladder - Standard
SR-WFT-4	Gutter Four-Step Ladder - Flanged Top
SR-WF-4	Gutter Four-Step Ladder - Flanged Top & Bottom
SR-BS-2	Braced Narrow Two-Step Ladder - Standard
SR-BFT-2	Braced Narrow Two-Step Ladder - Flanged Top
SR-BF-2	Braced Narrow Two-Step Ladder - Flanged Top & Bottom
SR-BS-2	Braced Narrow Three-Step Ladder - Standard
SR-BFT-2	Braced Narrow Three-Step Ladder - Flanged Top
SR-BF-2	Braced Narrow Three-Step Ladder - Flanged Top & Bottom
SR-BS-2	Braced Narrow Four-Step Ladder - Standard
SR-BFT-2	Braced Narrow Four-Step Ladder - Flanged Top
SR-BF-2	Braced Narrow Four-Step Ladder - Flanged Top & Bottom
SR-XS-3	Heavy Duty Three-Step Ladder - Flanged Top & Bottom
SR-XS-4	Heavy Duty Four-Step Ladder - Flanged Top & Bottom
SR-XS-5	Heavy Duty Five-Step Ladder - Flanged Top & Bottom
SR-SS-REJUV-KIT	Stainless Steel rejuvenation Kit



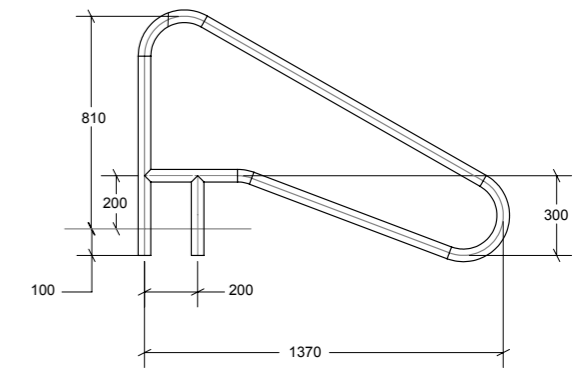
**Triangle Grab Rail**  
(SR-6S Standard/SR-6F Flanged)



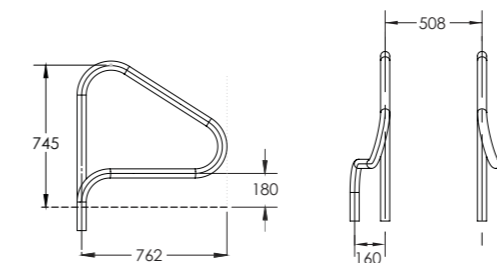
**Dual Height Figure 4 Grab Rail**  
(SR-7S Standard/SR-7F Flanged)



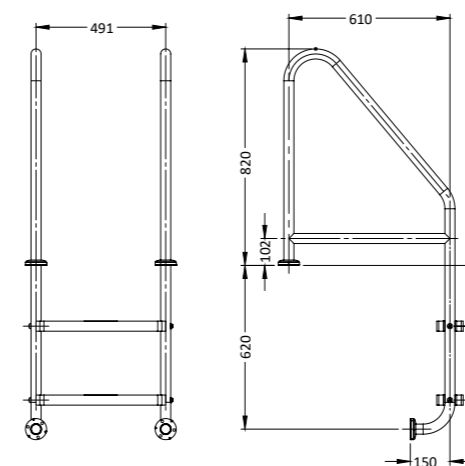
**Long Sturdy Grab Rail**  
(SR-GS Standard/SR-GF Flanged)



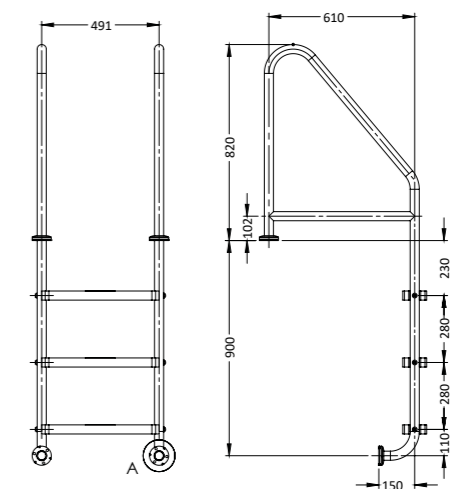
**Deck Mounted Stair Rail**  
(DMS-102S Standard/DMS-102F Flanged)



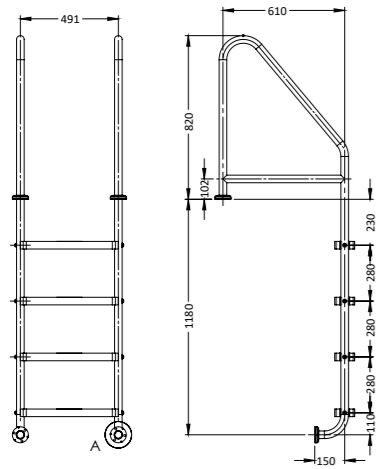
**Pretzel Grab Rail**  
(SR-8S Standard/SR-8F Flanged)



**Commercial Two-Step Ladder**  
(SR-CS-2 Standard/SR-CFT-2 Flanged Top/  
SR-CF-2 Flanged Top & Bottom)

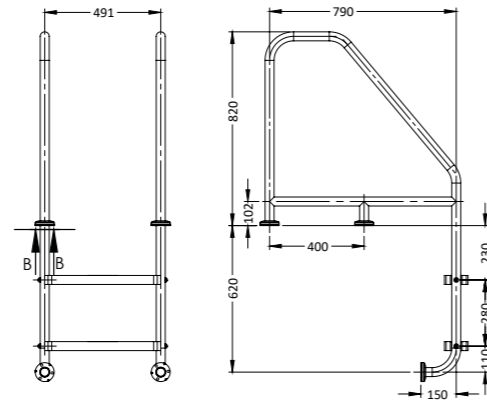


**Commercial Three-Step Ladder**  
(SR-CS-3 Standard/SR-CFT-3 Flanged Top/  
SR-CF-3 Flanged Top & Bottom)



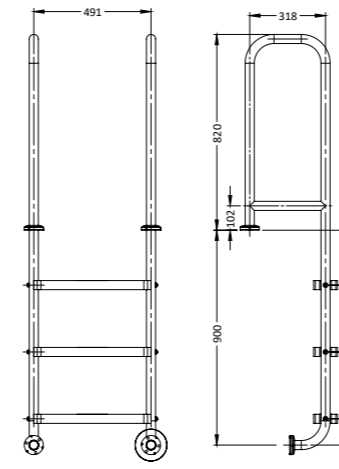
### Commercial Four-Step Ladder

(SR-CS-4 Standard/SR-CFT-4 Flanged Top/  
SR-CF-4 Flanged Top & Bottom)



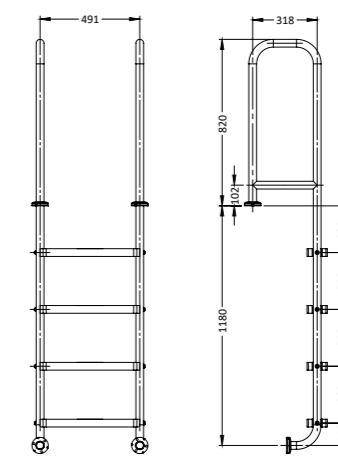
### Gutter Two-Step Ladder

(SR-WS-2 Standard/SR-WFT-2 Flanged Top/  
SR-WF-2 Flanged Top & Bottom)



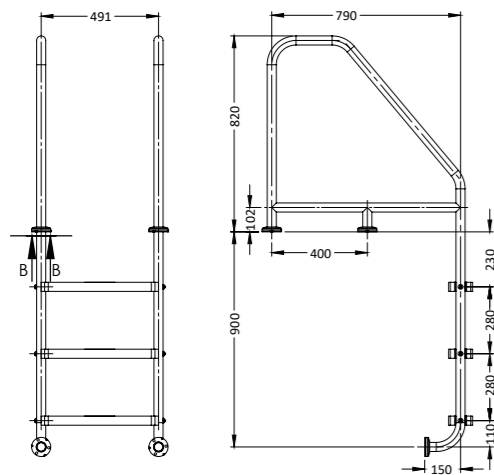
### Braced Narrow Three-Step Ladder

(SR-BS-3 Standard/SR-BFT-3 Flanged Top/  
SR-BF-3 Flanged Top & Bottom)



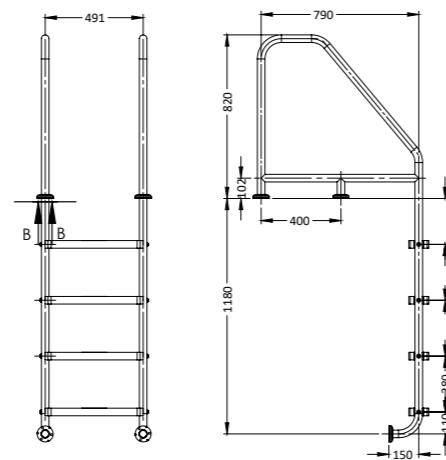
### Braced Narrow Four-Step Ladder

(SR-BS-4 Standard/SR-BFT-4 Flanged Top/  
SR-BF-4 Flanged Top & Bottom)



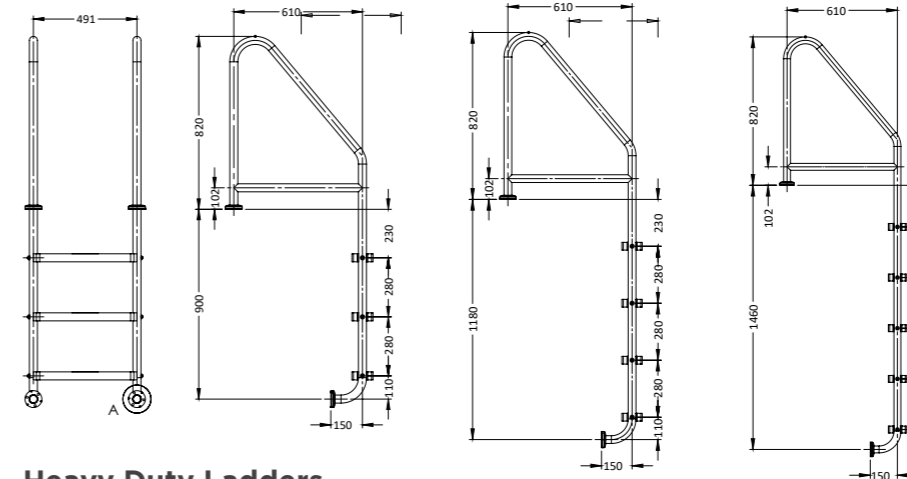
### Gutter Three-Step Ladder

(SR-WS-3 Standard/SR-WFT-3 Flanged Top/  
SR-WF-3 Flanged Top & Bottom)



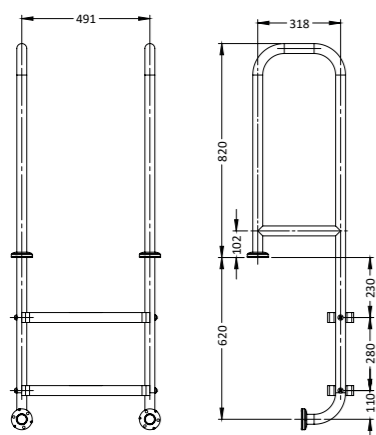
### Gutter Four-Step Ladder

(SR-WS-4 Standard/SR-WFT-4 Flanged Top/  
SR-WF-4 Flanged Top & Bottom)



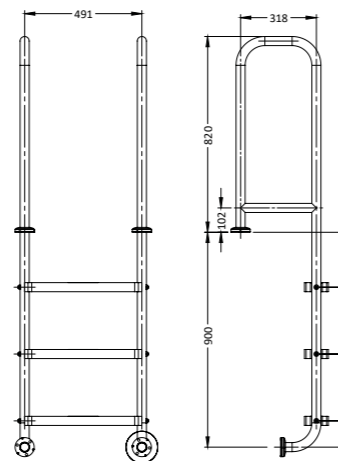
### Heavy Duty Ladders

(SR-XS-3 Three-Step Ladder Flanged Top & Bottom/  
SR-XS-4 Four-step Ladder Flanged Top & Bottom/  
SR-XS-5 Five-Step Ladder Flanged Top & Bottom)



### Braced Narrow Two-Step Ladder

(SR-BS-2 Standard/SR-BFT-2 Flanged Top/  
SR-BF-2 Flanged Top & Bottom)



### Braced Narrow Three-Step Ladder

(SR-BS-3 Standard/SR-BFT-3 Flanged Top/  
SR-BF-3 Flanged Top & Bottom)



## CUSTOM RAILS & LADDERS

Whether it's a minor variation to one of our standard rail configurations, or something from your own imagination, look to S.R.Smith to help make your vision a reality. S.R.Smith keeps your project on track with the fastest turnaround time in the industry. From standard to custom, in a wide range of finishes, our rails can add both form and function to any pool.

- Polished 38mm & 50mm OD Tubing
- 316L Marine Grade Stainless Steel
- Any size or shape
- 1.6mm wall thickness

+ Refer to website for details on custom rail ordering process

## CUSTOM COATINGS & CLEANERS

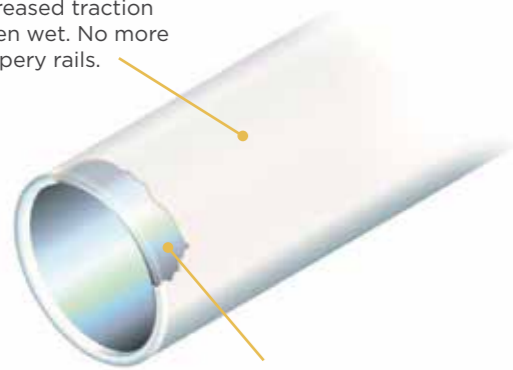
### Finish with Durability and Style

A variety of finish options are available which provide a higher level of protection to our marine grade stainless steel rails and ladders. Coatings are available in a variety of colours, as well as a clear finish option.

- SRS ClearShield™ Coating
- Powder Coating
- SealedSteel®

### SealedSteel®

WetTraction®  
Increased traction when wet. No more slippery rails.



Thermoplastic coating fully encapsulates stainless steel to lock out corrosion.

**SRS ClearShield™ Coating** — a thin film ceramic coated clear finish with superior impact, scratch and corrosion resistance.



ClearShield™

**Powder Coating** — durable finish that is easy to maintain, corrosion and scratch resistant.



Pearl White



Aztec Black



Stone Beige

**SealedSteel®** — housed in a protective coating that virtually eliminates corrosion, and stays cool to the touch, even in extreme temperatures.

Note: SealedSteel cannot be used in spas and pools where the water temperature exceeds 40° C



Pearl White



Pewter Gray



Gloss Black



Beige



Light Blue



Dark Blue

**Cynadan Treatment** — kit contains two products formulated especially for restoring and protection of Stainless Steel:

**Stainless Steel Rejuvenating Paste**  
Step 1: The Rejuvenation Preparation

**Stainless Steel Sentry**  
Step 2: The Protective Coating



FIXED CHAIRS  
MOBILE CHAIRS

# LIFEGUARD CHAIRS

# SENTRY® LIFEGUARD CHAIR



## Elegant Outdoor Furniture Style Chair

- Constructed from HDPE for strength and low maintenance
- Marine grade, 316 stainless steel hardware
- 76cm chair comes with brackets for anchoring to pool deck, and 107cm chair drilled to accept anchors (recommended, but not provided)
- Textured treads for slip resistant surface
- Cup & umbrella holder
- Easy to assemble

+ Optional Wheel kit available

### AVAILABLE PARTS & ACCESSORIES

- 76cm chair anchor brackets
- 76cm wheel kit
- 107cm wheel kit
- Hardware replacement kit 76cm chair
- Hardware replacement kit 107cm chair

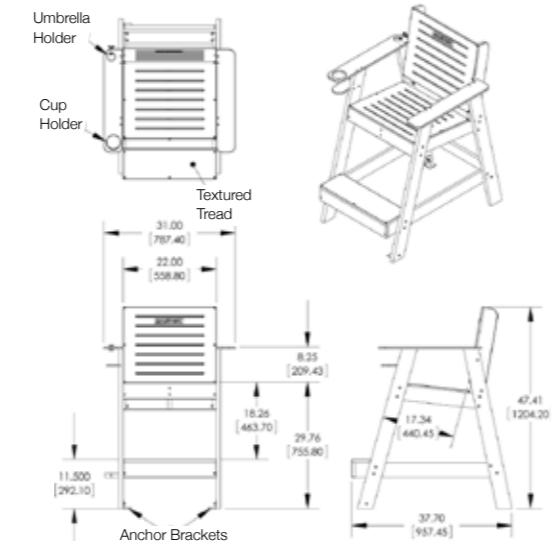
### COLOUR



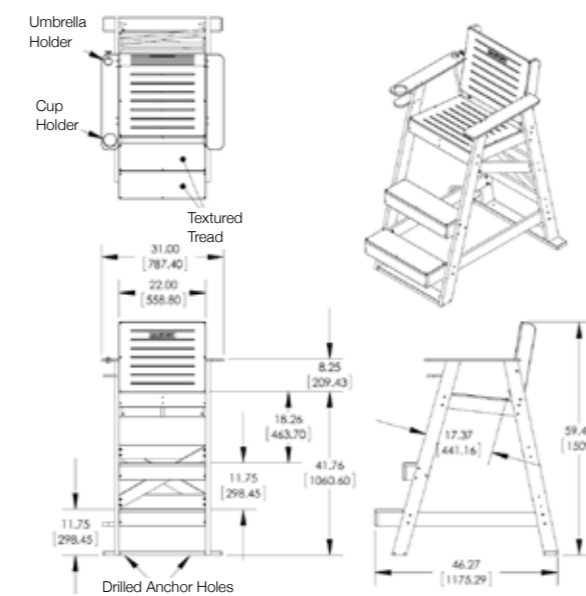
Radiant White

### SPECIFICATIONS

#### 76cm Sentry Lifeguard Chair



#### 107cm Sentry Lifeguard Chair



### Sentry® Lifeguard Chair

Model/Item No.	Description	SHIPPING			
		Weight	Length	Width	Height
SLGC-30	76cm Sentry Lifeguard Stand	30kg	114cm	48cm	8cm
SLGC-42	107cm Sentry Lifeguard Stand	43kg	137cm	48cm	10cm
13-501	76cm chair anchor brackets				
13-502 / 13-503	76cm wheel kit/107 wheel kit				
13-530 / 13-542	Hardware replacement kit for 76cm chair / 107cm chair				

# VISTA LIFEGUARD CHAIR



### Portable Unit with Deck

The Vista Lifeguard Chair allows lifeguards to easily scan large pool areas. This easily movable unit allows you the flexibility of moving your lifeguard stations as needed. The seat swivels 360° for uninhibited scanning.

- 1.8m tall
- Portable unit features two wheels
- Seat swivels 360° for a full view of your facility
- Observation platform features a non-slip, white, sanded tread
- Handrails and seat post are 316 stainless steel
- Stainless steel base for added corrosion resistance

### FOOTBOARD COLOUR



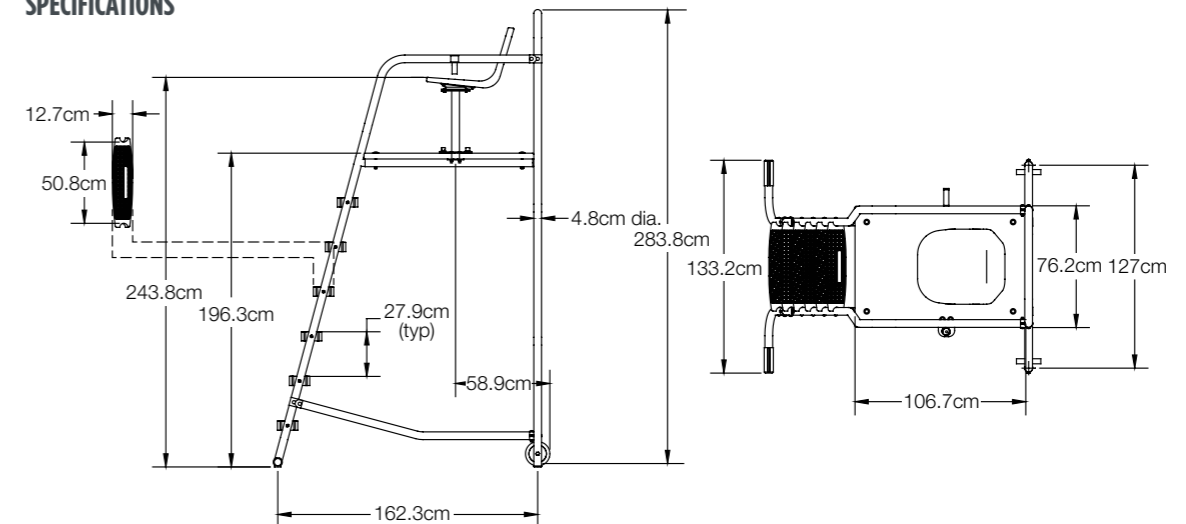
Radiant White

### TREAD COLOUR



Radiant White

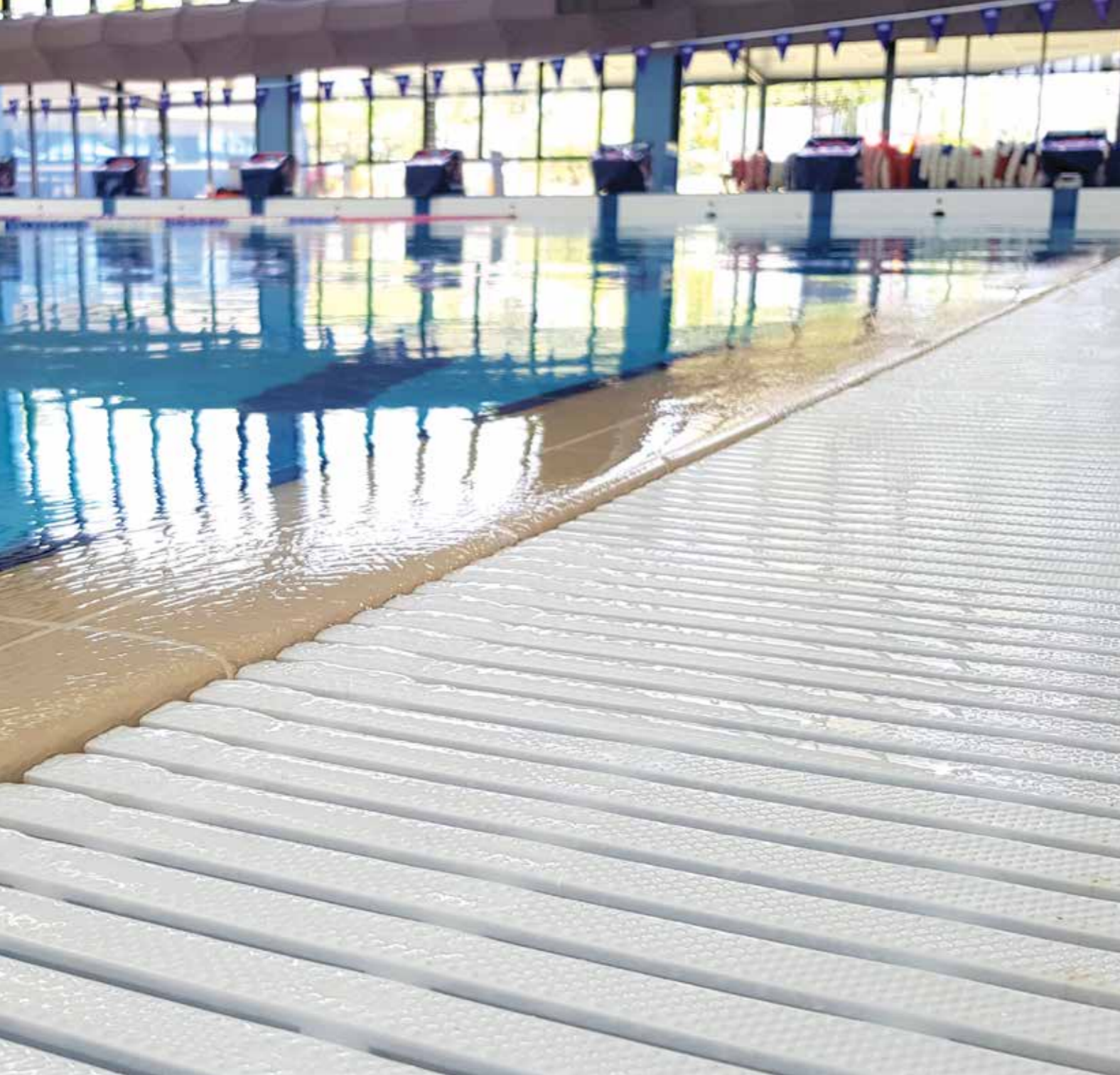
### SPECIFICATIONS



### Vista Lifeguard Chair

Model/Item No.	Description	SHIPPING			
		Weight	Length	Width	Height
US48500	1.8m Vista Lifeguard Chair	48kg	229cm	211cm	41cm





# SWIMMING POOL GRATING



## Transverse Grating

Transverse grating is an overflow swimming pool grating made from engineered plastic that provides excellent strength, durability and is also easy on feet and hands.

- Sold in 1m sections

### STANDARD WIDTHS



+ Custom grating sizes available at additional cost



### Custom Risers - Transverse Grating

Designed to attach to transverse grating to accommodate all pool gutter profiles.



## Longigate Grating

Longigate grating is an overflow swimming pool grating made from engineered plastic that provides excellent strength, durability and is also easy on feet and hands.

- Sold as 1m lengths

### STANDARD WIDTHS



### GRATING & RISER STANDARD COLOURS



+ Custom colours available at additional cost

### Swimming Pool Grating

Model/Item No.	Description
16-61-250T	Transverse Grating 250mm (per metre)
16-61-300T	Transverse Grating 300mm (per metre)
16-61-350T	Transverse Grating 350mm (per metre)
16-61-250L	Longigate Grating 250mm (per metre)
16-61-300L	Longigate Grating 300mm (per metre)
16-61-350L	Longigate Grating 350mm (per metre)
16-61-999R	Custom Risers - Transverse Grating (per metre)
16-61-999C	Custom Colours (per metre)
16-61-999T	Custom Trimming (per metre)

TRANSVERSE GRATING

LONGIGRATE GRATING

STAINLESS STEEL GRATING

CUSTOM OPTIONS

# GRATING

# STAINLESS STEEL GRATING

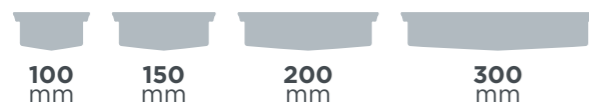


## Stainless Steel Click Drain

Australian made, anti-slip grating with 5mm gap, produced in 316 stainless steel. All components are pickled and passivated for superior protection from corrosion.



### STANDARD SIZES



(All troughs based on 100mm max depth)

+ Custom sizes and class loadings available

- Anti-slip wire with 5mm gap
- Commercial grade finish
- Class A loading
- All material from grade 316 stainless steel
- All components are pickled and passivated
- Supplied with an earthing tag
- Built in fall is available on request

### Stainless Steel Click Drain

Model/Item No.	Description
16-61-D-OUT	Stainless Steel Click Drain Outlet
16-61-D-ECAP	Stainless Steel Click Drain End caps (pair)
16-61-D-MTCOR	Stainless Steel Click Drain Mitred Corner
16-61-100-SS	Stainless Steel Click Drain 100mm (per metre)
16-61-150-SS	Stainless Steel Click Drain 150mm(per metre)
16-61-200-SS	Stainless Steel Click Drain 200mm(per metre)
16-61-300-SS	Stainless Steel Click Drain 300mm(per metre)

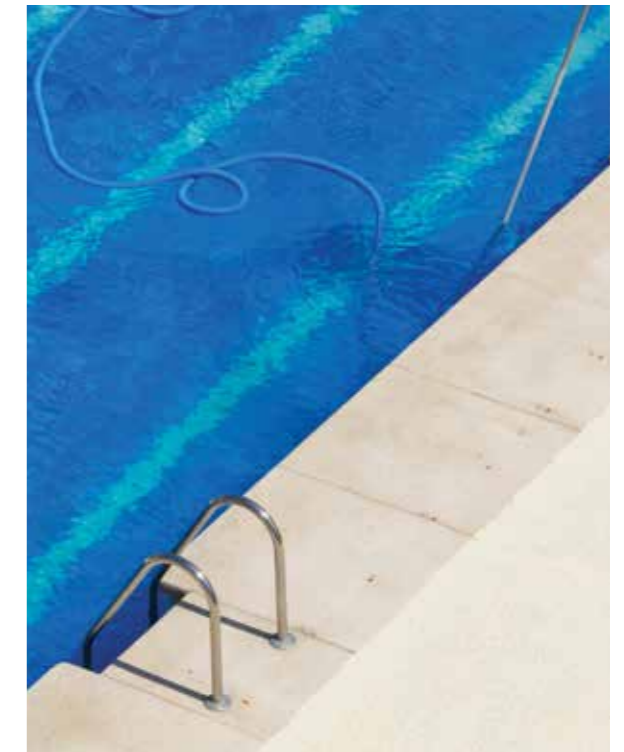
# COMMERCIAL VACUUM HEAD



## Suck-it-Up™ Commercial Vacuum Head

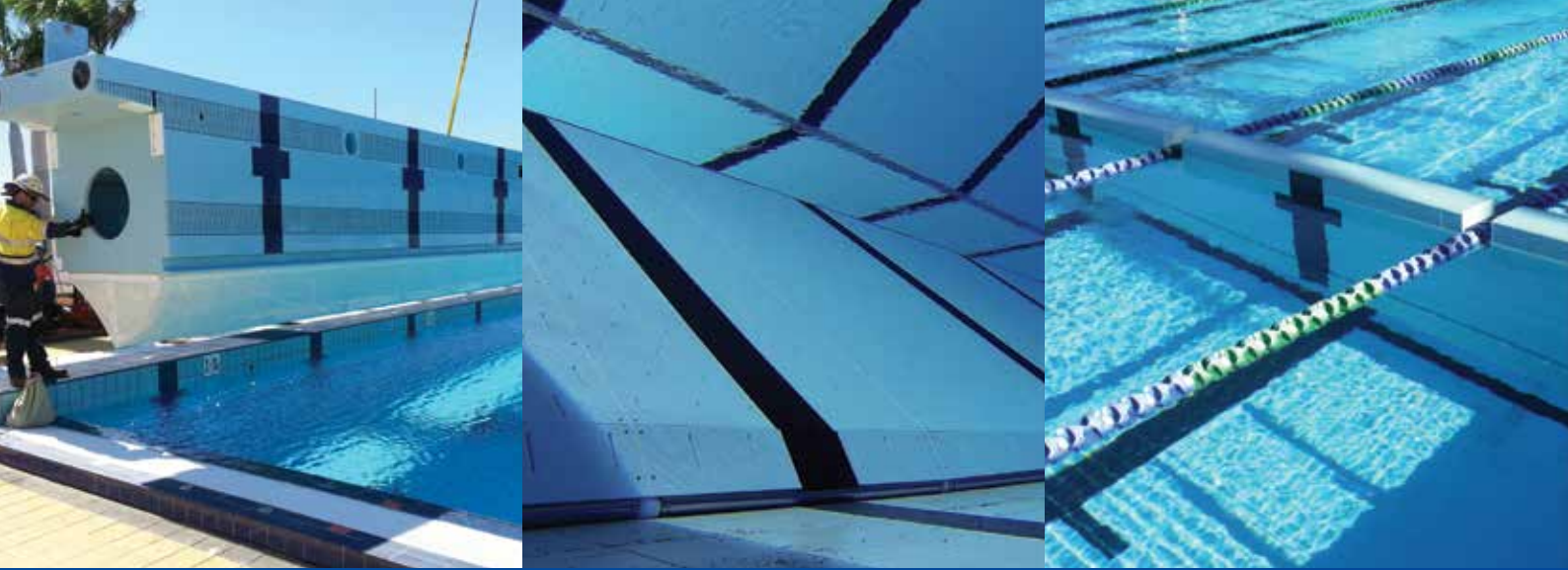
Chrome-plated cast brass. 450mm long x 140mm wide. Front and rear plastic wipers and nylon brush. Available with threaded control or open control yoke. Available for 40mm or 50mm vacuum hose diameter.

- Durable brass construction
- Chrome plated for corrosion protection
- Large vacuum coverage (450mm)
- Spare parts available



### Cleaning Equipment

Model/Item No.	Description
A41346-0	Commercial Vacuum



**Swimwall Systems™, Bulkheads and Moveable floors available  
through S.R.Smith's Construction Division**

Call 07 3812 2283 or [info-au@srsmith.com](mailto:info-au@srsmith.com) for more information

For product specifications, autoCADs and product configuration  
tools visit [SRSMITH.COM/COMMERCIAL](http://SRSMITH.COM/COMMERCIAL)

SERIOUS EQUIPMENT  
SERIOUS FUN  
ACCESS FOR ALL



SRS Australia Pty Ltd  
12 Enterprise Street, Richlands Q 4077 Australia  
PO Box 4416, Forest Lake Q 4078 Australia  
P 07 3812 2283 | F 07 3812 1187  
[srsmith.com/au](http://srsmith.com/au) | [info-au@srsmith.com](mailto:info-au@srsmith.com)

**anti wave**