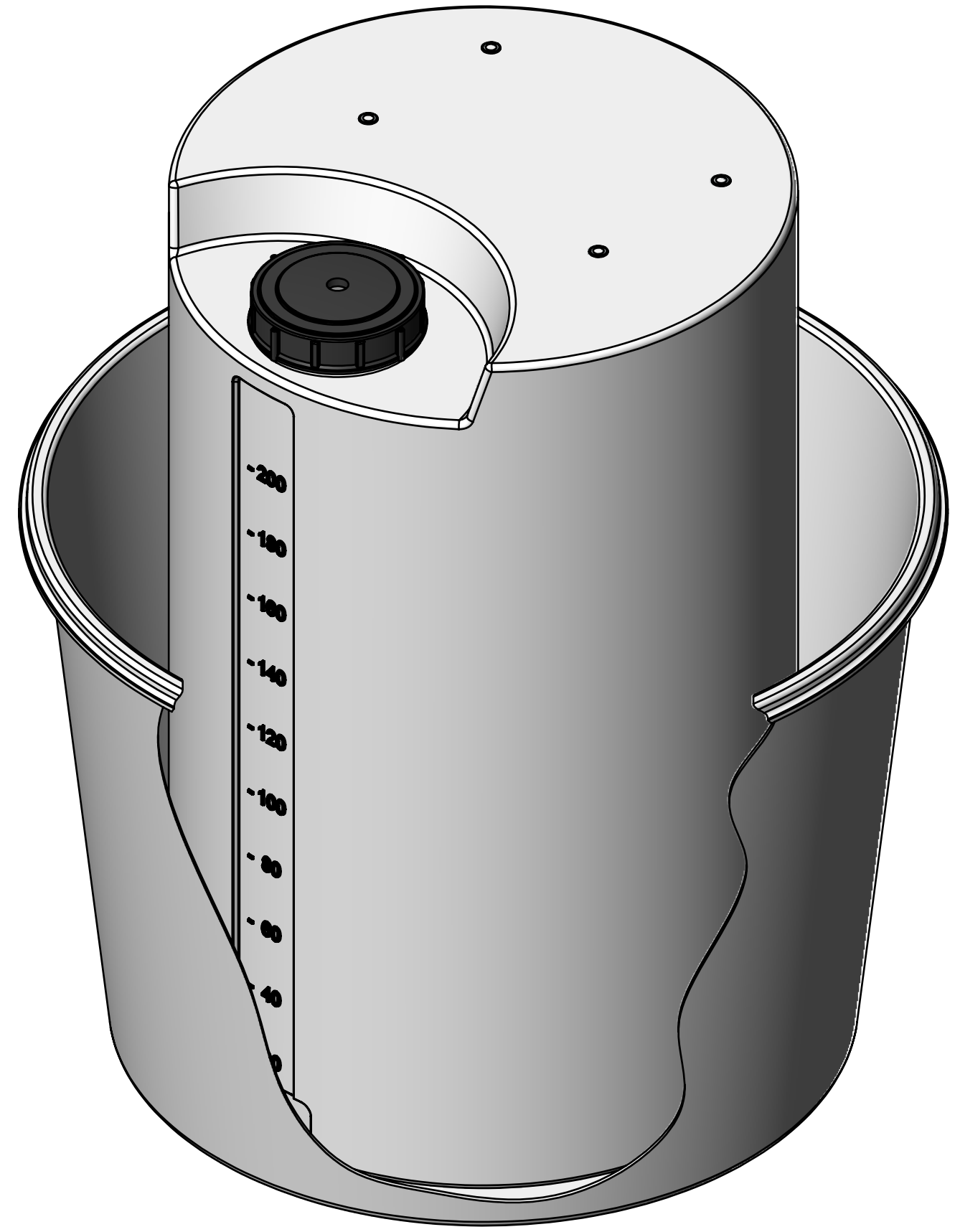
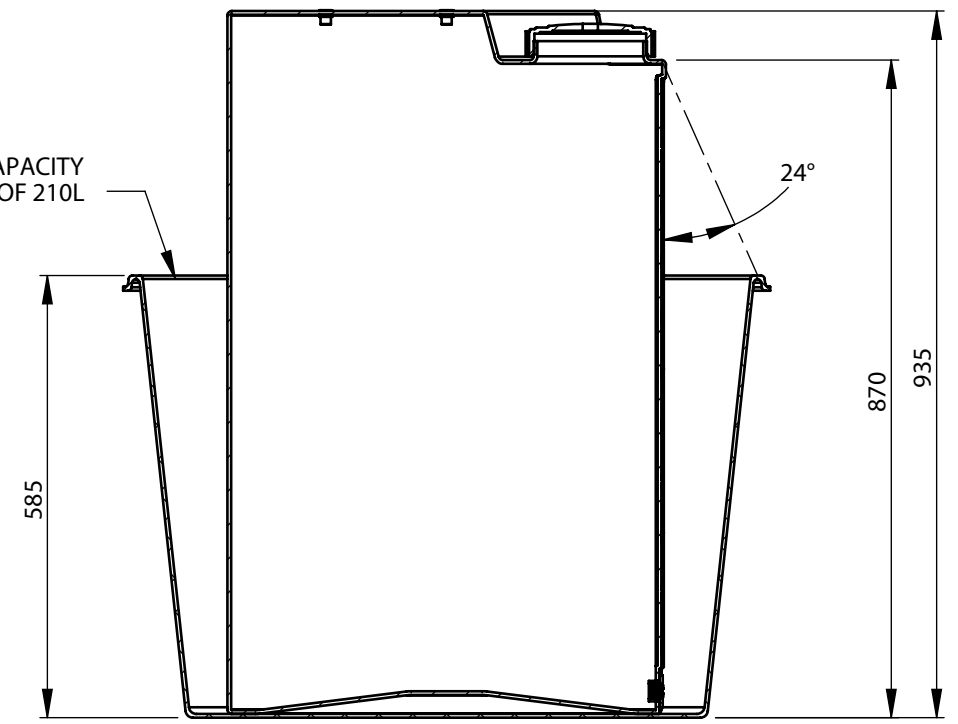


PLAN VIEW



BUND CAPACITY
 $\approx 118\%$ OF 210L



SECTION A-A