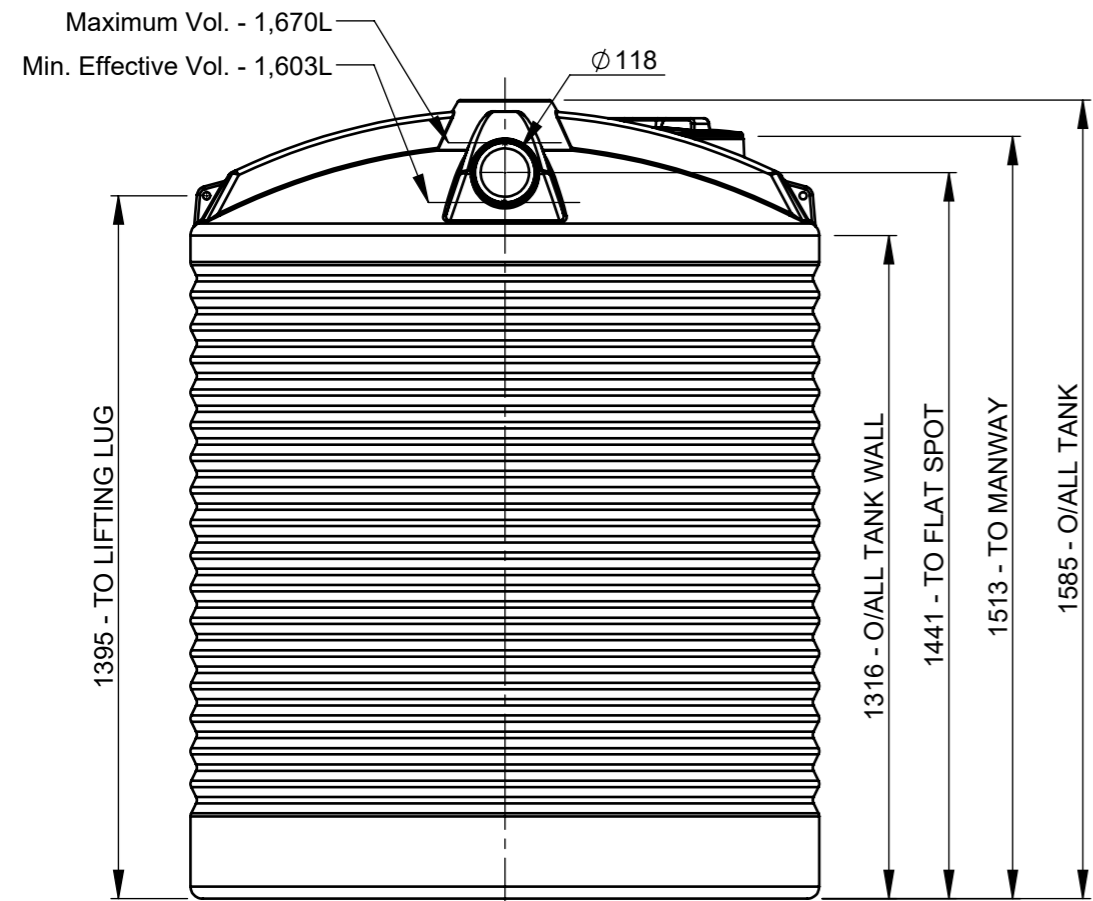
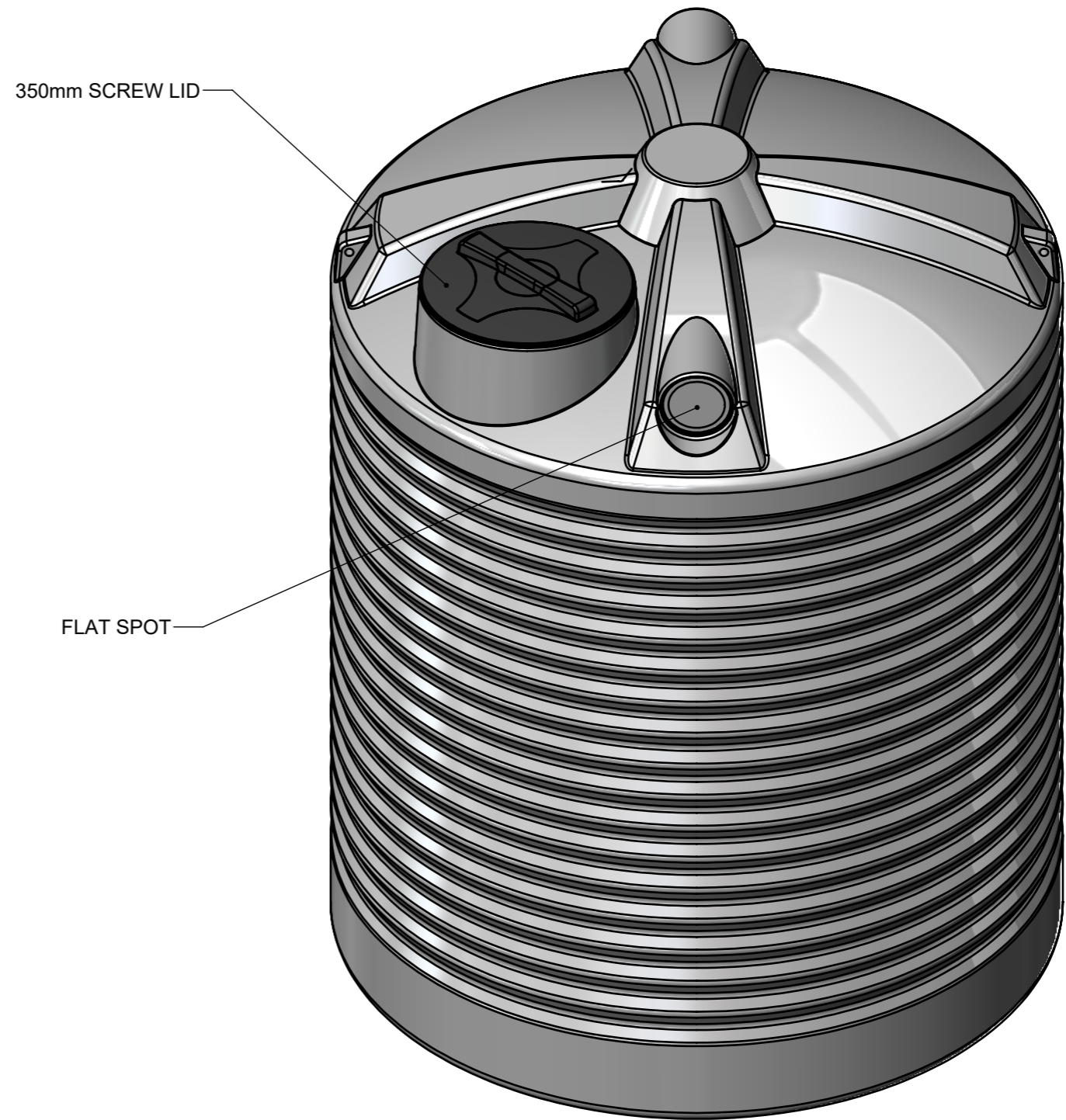


PLAN VIEW



FRONT VIEW



PICTORIAL VIEW