



# Self Bunded Chemical Tanks



## Polymaster's self bunded tanks.

### The ultimate storage solution for chemicals and dangerous liquids.

Custom engineered solutions can be developed for specific applications. Certified to Australian standards, these tanks will save time, space and money over traditional bunding methods. Specially formulated Polymaster PE material options are available to safely contain extra aggressive chemicals such as sodium hypochlorite and sulphuric acid.



**70%**

cost reduction on installation costs



**6 Weeks**

reduced construction time



**66%**

less footprint



**CERTIFIED DESIGN**

AS/NZS4766



**UV resistance**

suitable for outdoor application



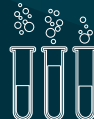
**Removes need**

for traditional concrete bund



**110%**

bund capacity to comply with AS3780



**1,965**

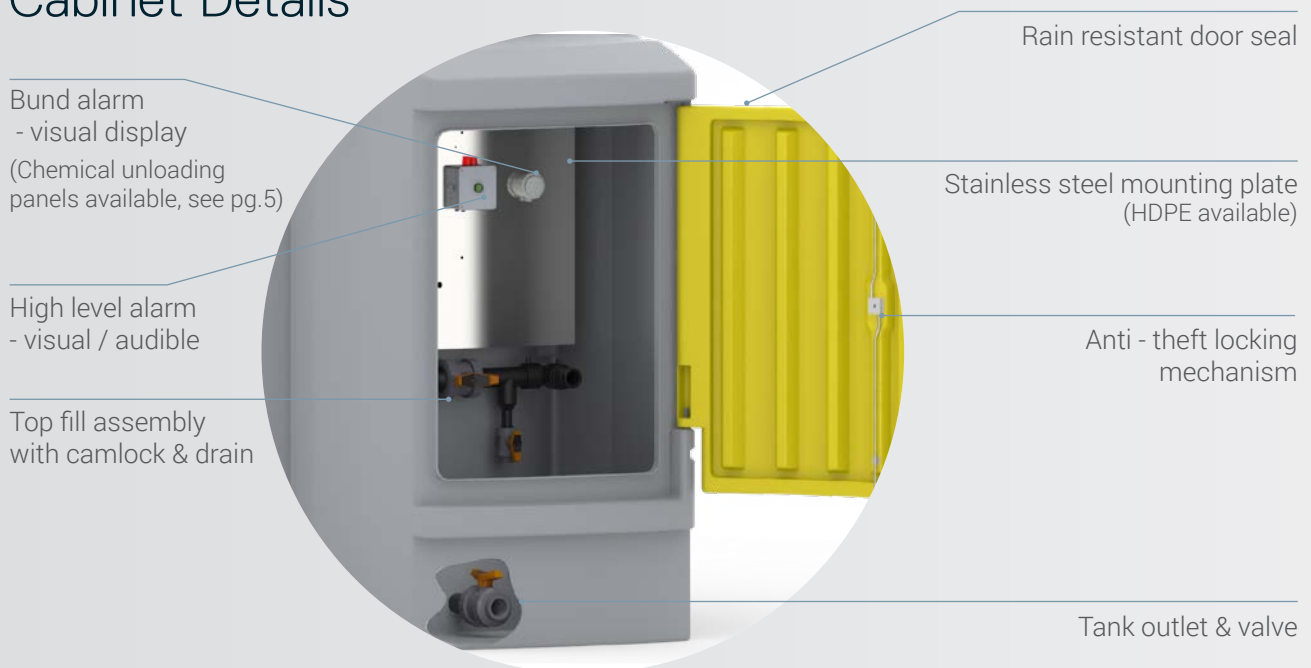
chemicals can be stored

- Engineered up to 2SG for heavy liquids
- Tanks can be easily relocated from site to site
- Save time: testing and fit out completed before delivered to site

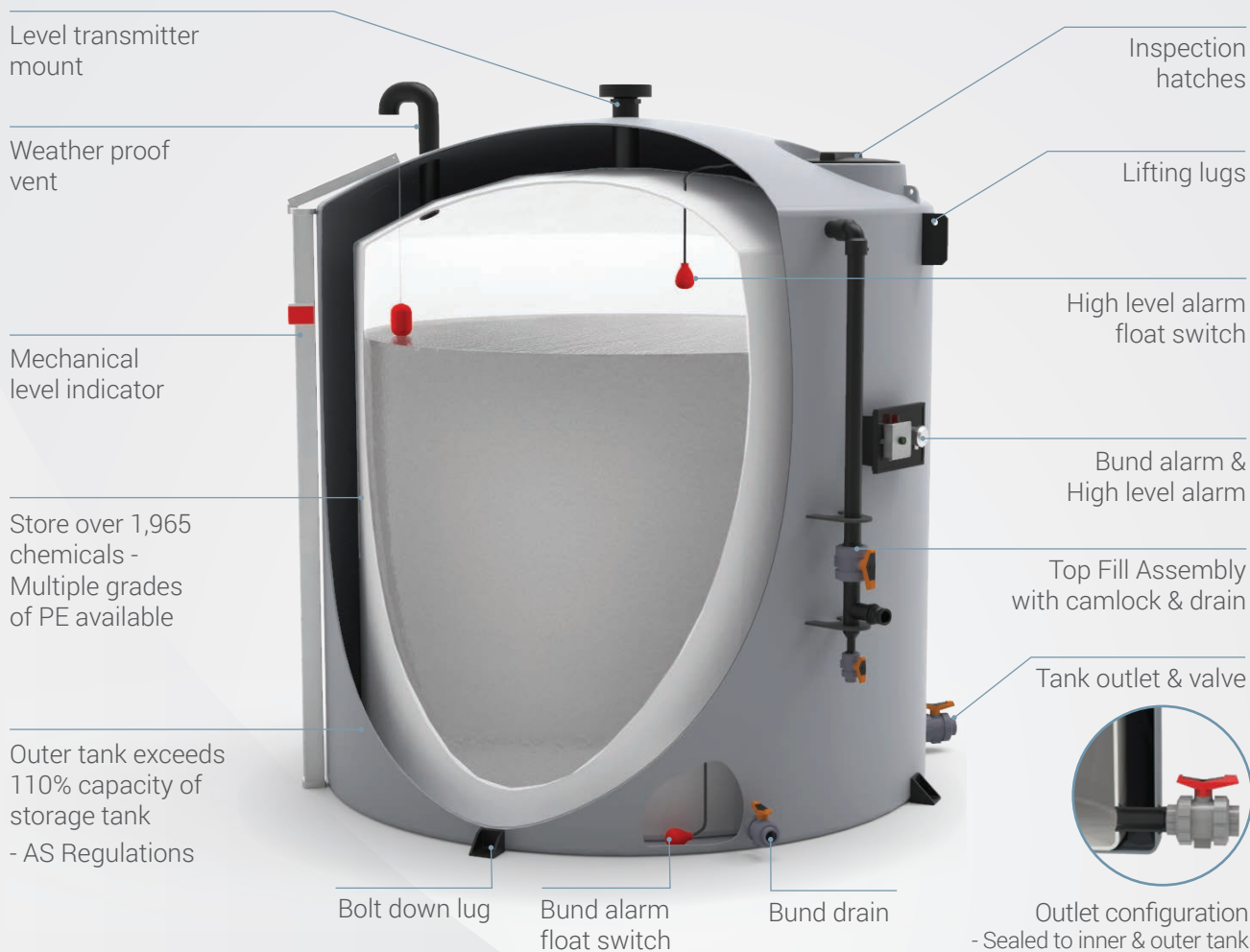
# Self Bunded Tank with Cabinet



## Cabinet Details



# Self Bunded Tank without cabinet



\* Standard configuration shown. Custom configurations available on request.

## TESTIMONIAL

“ I highly recommend Polymaster Industrial for all chemical storage projects. I had enormous confidence from the start with their design and material compatibility assessment. It's reassuring to work with a team that asks questions about how the tanks were intended to operate on site.

I was impressed with how we were able to customise each tank with different fittings and positions to suit both engineering and aesthetic requirements.

Our project was delivered on time and on budget. Well done guys. ”

**Mark L - Project Engineer**

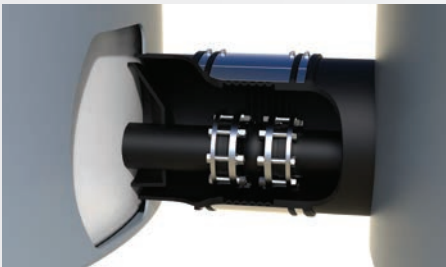
# Options

## CHEMICAL UNLOADING PANEL



- Single and 3-phase options
- All-in-one Tank Management System
  - Safe, easy operation of tank
- Tank overfill protection
  - Alarm
  - Inloading high level safety cut-off
  - Radar & Ultrasonic Level Transmitters available

## JOINING MULTIPLE TANKS



- Join multiple tanks for unlimited capacity
- Double containment (bunded) connection between tanks
- Connections at base allow tanks to operate as 'one tank'
- Safe & secure

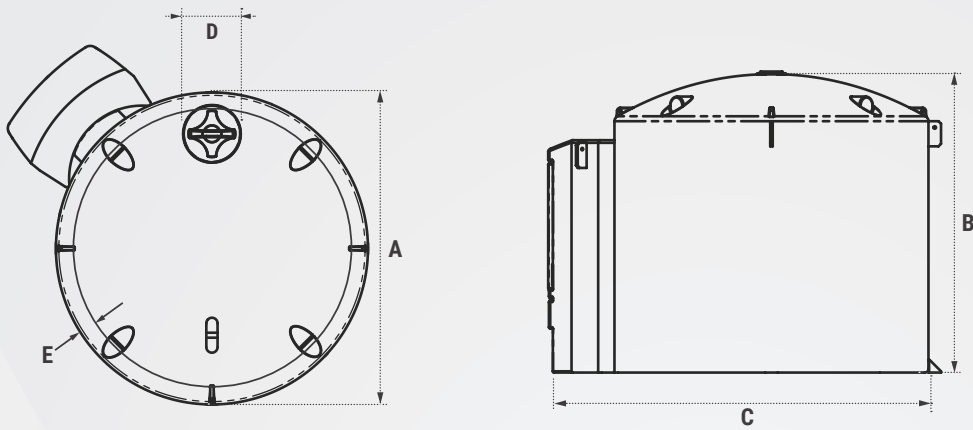
## MULTIPLE CABINETS



- Segregation of equipment
- Increased capacity for housing multiple dosing systems
- Ensures all equipment is protected

# Specifications

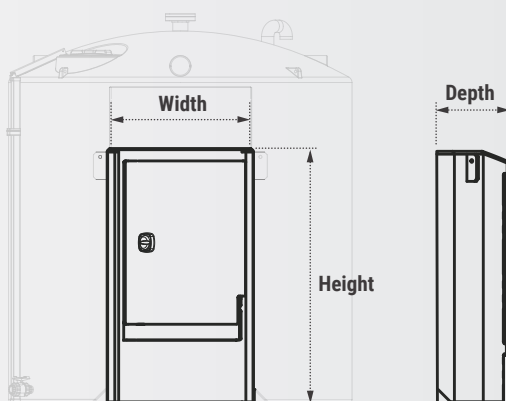
## TANK



CODE	CAPACITY (LTRS)	A (MM)	B (MM)	C (MM)	D (MM)	E (MM)
BPST1500	1500	1169	2250	1910	350	85
BPST2300	2300	1600	2200	2410	350	150
BPST3300	3300	1800	2200	2630	455	140
BPST5000	5000	2200	2200	3050	455	130
BPST7000	7000	2500	2380	3370	455	180
BPST10000	10,000	2500	2700	3360	455	50
BPST13000	13,000	3050	2900	3930	455	120
BPST21000	21,000	3570	3570	4460	455	260
BPST30000	30,000	3800	3690	4700	600	110

Technical drawings available

## CABINET



WIDTH (MM)	HEIGHT (MM)	DEPTH (MM)
1070	1850	950





02 9774 5550  
[www.interquad.com.au](http://www.interquad.com.au)

**Polymaster**