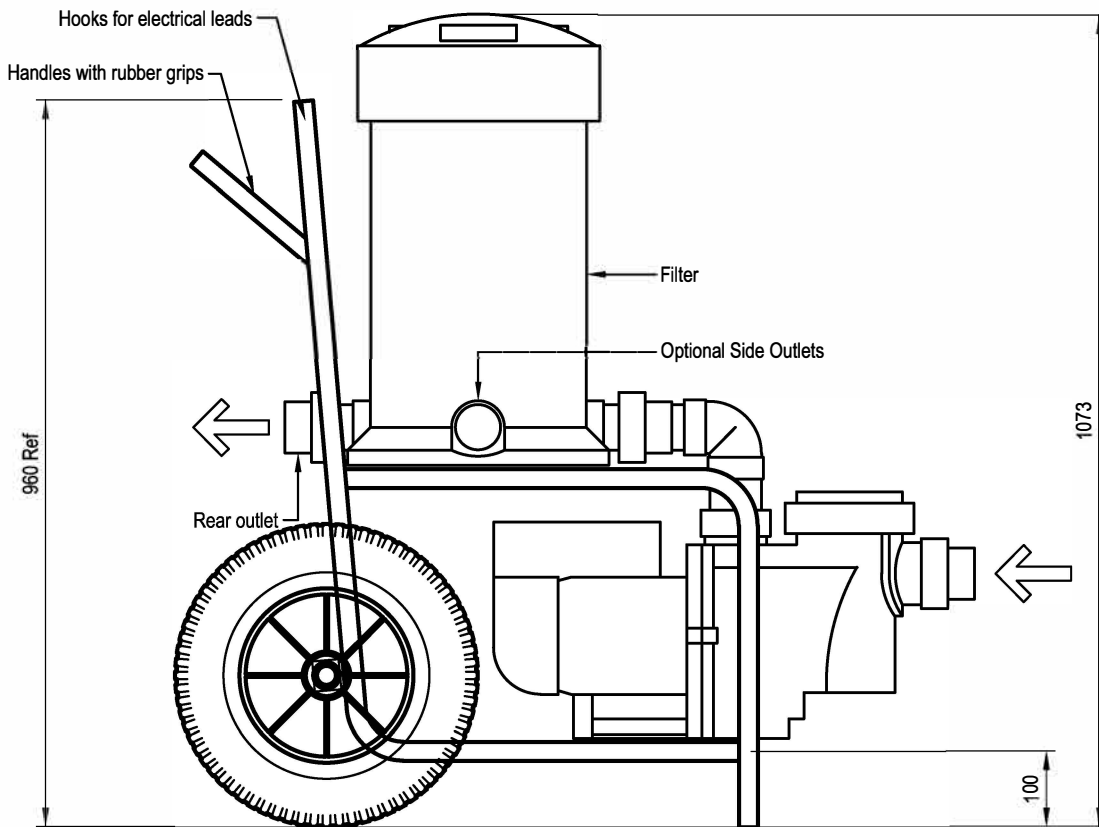
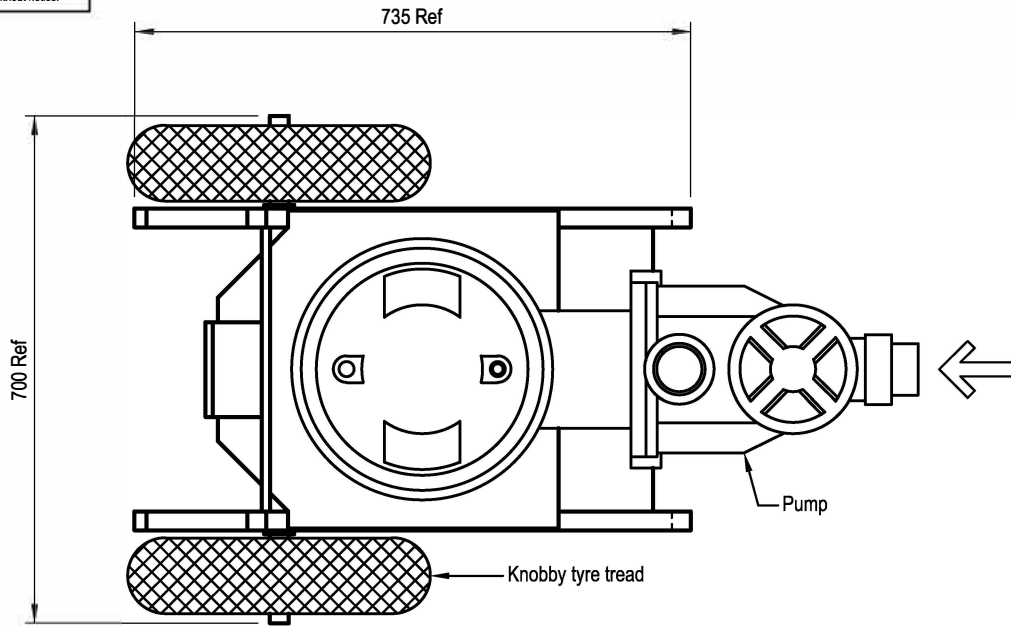


Note: Details subject to change without notice.



PARTS LIST

ITEM	DESCRIPTION
1	Stainless Steel Trolley/Cart
2	Ø400 Pneumatic Tyres (P/N 1608) 25 ID
3	Self Priming Pump With Strainer (1.2 kW)
4	Cartridge Filter (CF 75)
5	Electrical Enclosure c/w GFI & 240V Outlet

Notes

1. Other fit-out & equipment options are available
2. Refer to IQ for details on ancillary items, not limited to fittings/connections, floating hose, discharge hose, vacuum head & pole options

Title

MOBILE VACUUM CART WITH FILTER

Model IQ-105

PIERCE POOL SUPPLIES

12 Gatwood Close, Padstow NSW 2211
 ph: (02) 9774 5500 fax: (02) 9774 5552
 email: sales@interquad.com.au

Whilst this data represents the latest information available at the time of printing, the manufacturer assumes no liability for its use.

Date 25.06.2013

Drawn PB

Drg No. IQ-105[B]