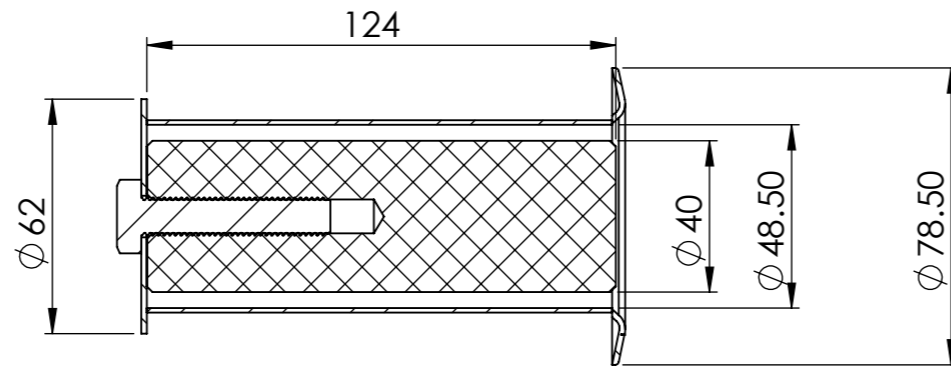
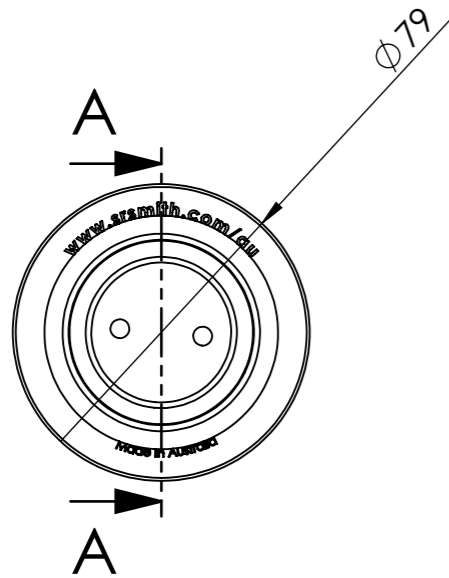
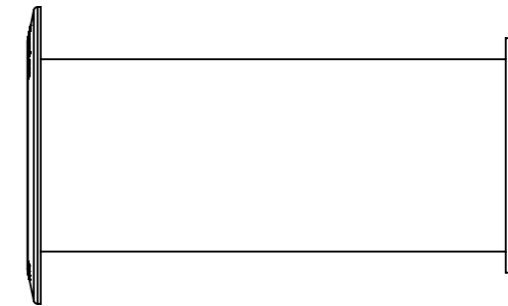


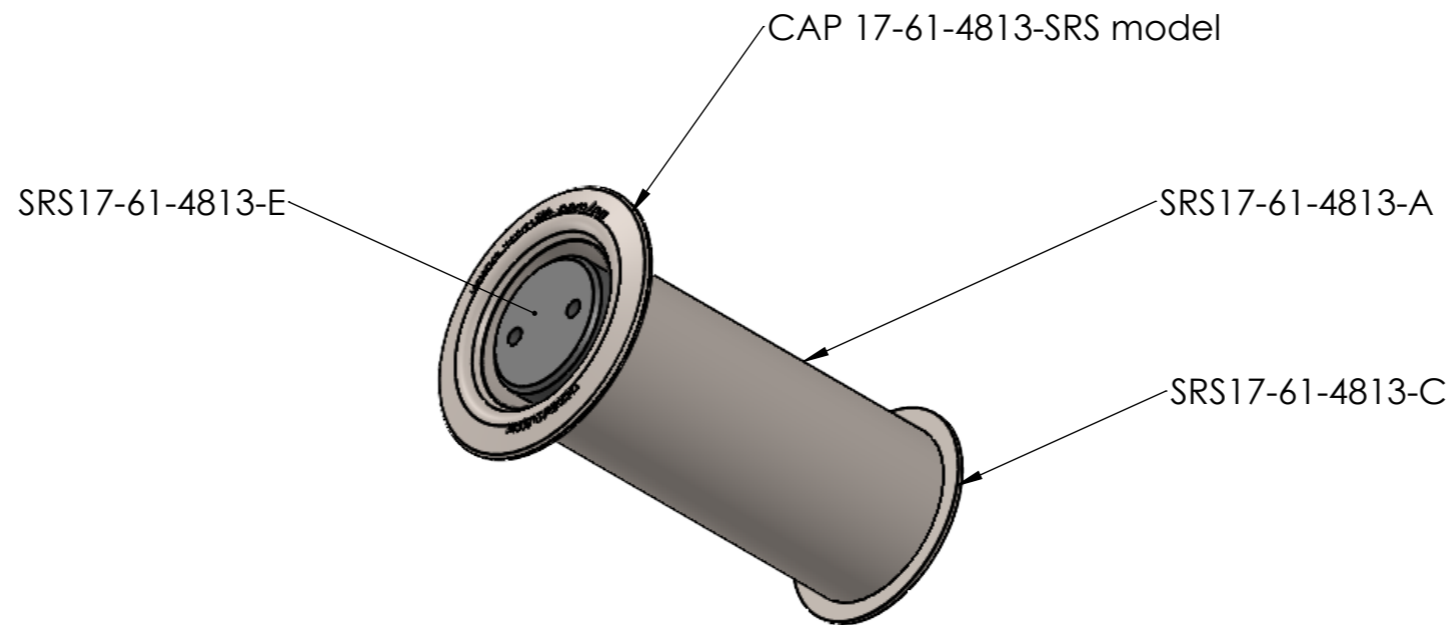
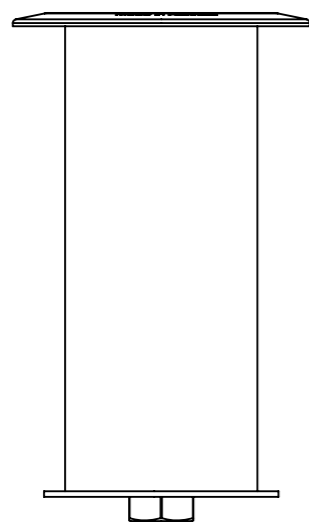
ITEM NO.	PART NUMBER	DESCRIPTION	QTY.
1	SRS17-61-4813-A		1
2	SRS17-61-4813-C		1
3	CAP 17-61-4813-SRS model		1
4	SRS17-61-4801-C	DECK HOLE - SSHHCSM1050MM	1
5	SRS17-61-4813-E	DECK HOLE - NYLON 26OD	1




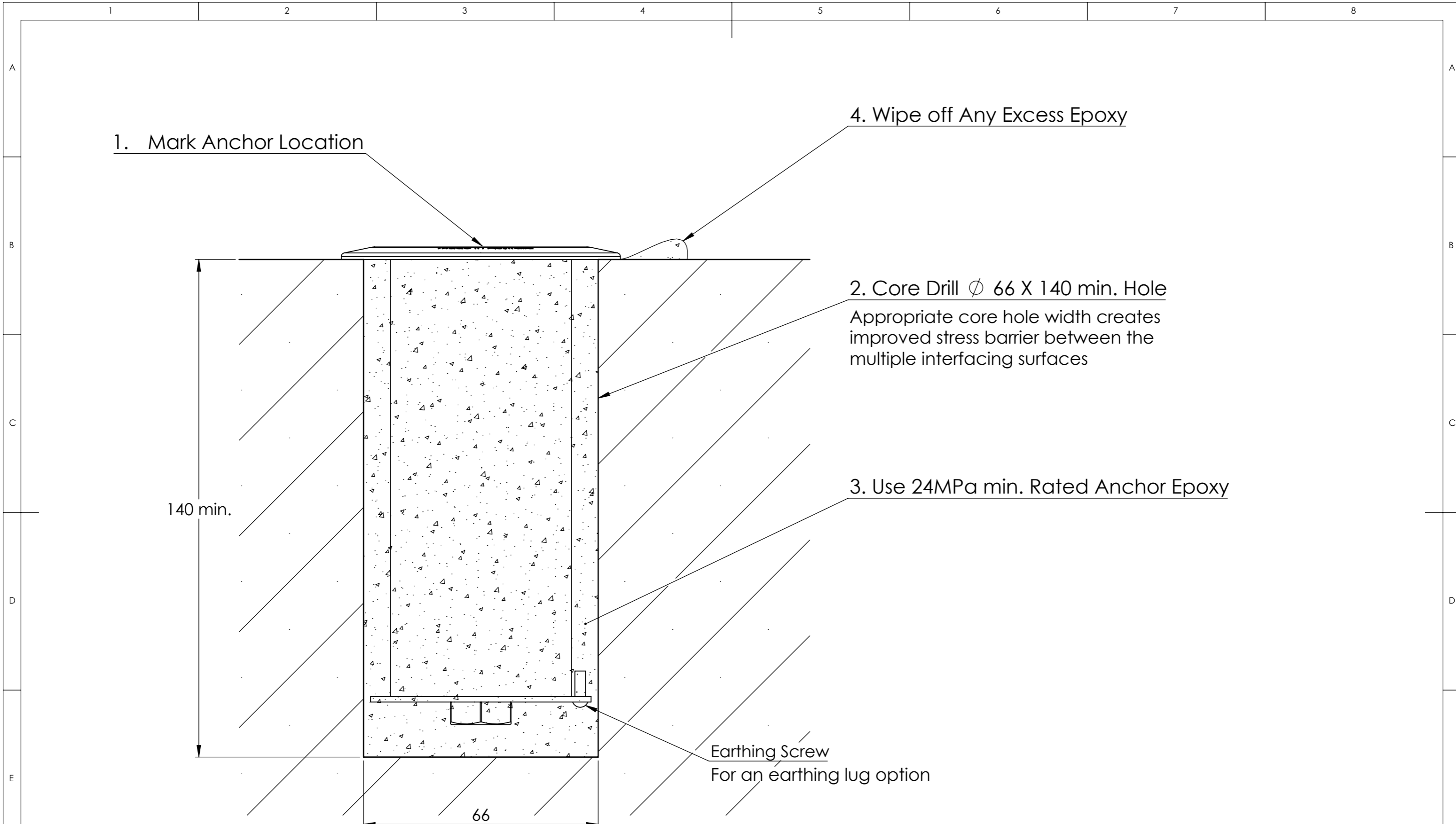
SECTION A-A



SRS17-61-4801-C



CLIENT:		PROJECT:		 <i>Serious Equipment - Serious Fun - Access for All</i> <b>SRSAustralia PTY LTD</b> 12 Enterprise Street, Richlands QLD 4077 P +61 7 3812 2283   F +61 7 3812 1187	
UNLESS OTHERWISE SPECIFIED: DIMENSIONS ARE IN MILLIMETERS		FINISH:			
SURFACE FINISH:		Polished S/S 316			
TOLERANCES:		MATERIAL:		TITLE:	
LINEAR:		316L SS		17-61-4813	
ANGULAR:		WEIGHT:		Ø 48 DECK HOLE SS 316	
DRAWN: OEH		SIGNATURE:		DWG NO.:	
CHK'D:		DATE: 03/08/16		17-61-4813-SRS MODEL	
APPV'D:		DO NOT SCALE DRAWING		SCALE: 1:2	
THE INFORMATION CONTAINED IN THIS DRAWING IS THE SOLE PROPERTY OF SRSMITH AUSTRALIA Pty Ltd. ANY REPRODUCTION IN PART OR IN WHOLE WITHOUT THE WRITTEN PERMISSION OF SRSMITH AUSTRALIA Pty Ltd IS PROHIBITED.				SHEET 1 OF 2	
				A3	
				REVISION 1	



1. Mark Anchor Location

4. Wipe off Any Excess Epoxy

2. Core Drill  $\phi$  66 X 140 min. Hole

Appropriate core hole width creates improved stress barrier between the multiple interfacing surfaces

3. Use 24MPa min. Rated Anchor Epoxy

140 min.

Earthing Screw  
For an earthing lug option

66

\*This is only guidelines for typical installation of  $\phi$  48mm Deckhole anchor.  
Required size/tools may differ depending on the type of deck, pool and surroundings

CLIENT:		PROJECT:		 Serious Equipment - Serious Fun - Access for All <b>SRSAustralia PTY LTD</b> 12 Enterprise Street, Richlands QLD 4077 P +61 7 3812 2283   F +61 7 3812 1187	
UNLESS OTHERWISE SPECIFIED: DIMENSIONS ARE IN MILLIMETERS		FINISH:			
SURFACE FINISH:		Polished S/S 316			
TOLERANCES: LINEAR: ANGULAR:				TITLE: <b>17-61-4813</b> <b><math>\phi</math> 48 DECK HOLE SS 316</b>	
	NAME	SIGNATURE	DATE	DO NOT SCALE DRAWING	
DRAWN	NM		21/02/2022		
CHK'D	MF				
APP'V'D					
THE INFORMATION CONTAINED IN THIS DRAWING IS THE SOLE PROPERTY OF SRSMITH AUSTRALIA Pty Ltd. ANY REPRODUCTION IN PART OR IN WHOLE WITHOUT THE WRITTEN PERMISSION OF SRSMITH AUSTRALIA Pty Ltd IS PROHIBITED.				MATERIAL: <b>316L SS</b>	
				DWG NO. <b>17-61-4813-INST</b>	
				A3	
				REVISION 1	
				WEIGHT:	
				SCALE:1:1	
				SHEET 2 OF 2	