

SuperBlock 750 User Manual



Version 2.1
Edition 2208.2023

Documentation Updates:

Anti Wave Global Pty Ltd reserves the right to make improvements in the products described in this documentation at any time without prior notice. Furthermore, Anti Wave Global Pty Ltd reserves the right to revise this documentation in its content at any time and without any obligation to notify any person or organisation of such revision.

Disclaimer:

The information provided in this documentation has been obtained from sources believed to be reliable, accurate and current. However, Anti Wave Global Pty Ltd makes no representation or warranty, express or implied, with respect, but not limited to, the completeness, accuracy, correctness and actuality of the content of this documentation. Anti Wave Global Pty Ltd specifically disclaims any implied warranty of merchantability, quality and/or fitness for any particular purpose. Anti Wave Global Pty Ltd shall not be liable for errors contained in this documentation or for incidental or consequential damages in connection with the supply, performance or use of this documentation.

Copyright:

Copyright © Anti Wave Global Pty Ltd . All rights reserved. This documentation may not, as a whole or in part, be copied, translated, reproduced, transmitted or reduced and/or stored to any electronic medium or machine-readable form without the prior written consent of Anti Wave Global Pty Ltd.

1/ Introduction:

The SuperBlock 750 is our premium FINA Approved Moveable Track Start block, chosen for top performance training and competition facilities around the world.

Includes the FINA Approved 5 Point Moveable Track Start System (MTS) for top performance starts.

Significant design research has been applied to the creation of the Block components including the top inclination and materials, as well as the Moveable Track Start System, to ensure optimal starts in top performance training and competition.

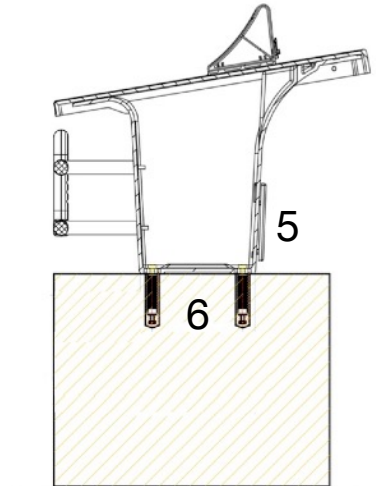
The top materials has been extensively tested and provides the ultimate level of comfort and durability for the user, as well as excellent anti-slip properties ensuring the highest level of traction during starts.

An access door at the back of the block allows easy access to the interior of the block for installation and also the storage of cabling if required.

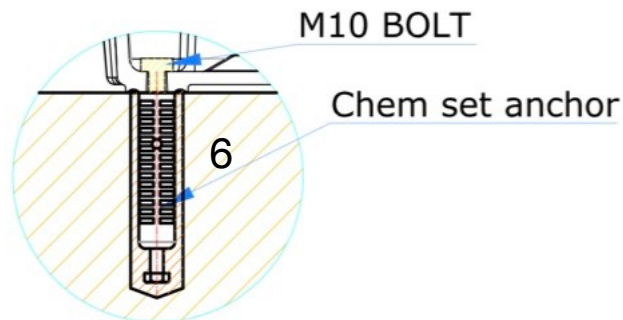
The SuperBlock 750 benefits from a new design and an attractive colour scheme.

- Compliant with FINA regulations.
- Durable FRP construction with SS316 fittings.
- Movable Track Start (MTS) adjustable to 5 positions, for fastest start times.
- Durable, long life anti-slip top tread on top.
- Backstroke Start handles reinforced with SS316 for safety and durability.
- Compatible with major electronic timing systems (including Omega RBD).
- Optional extra Safe Start handles available.
- Also available our 'No Diving' Heavy Duty Block Covers AWE018.

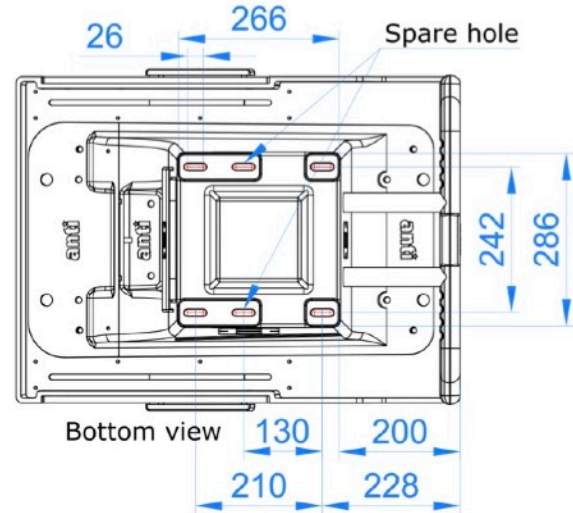
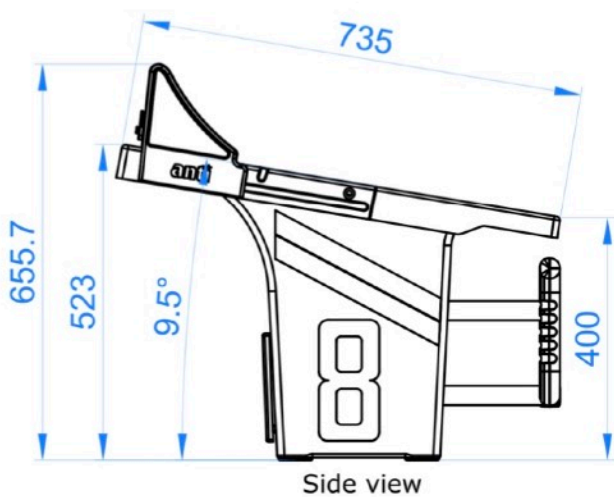
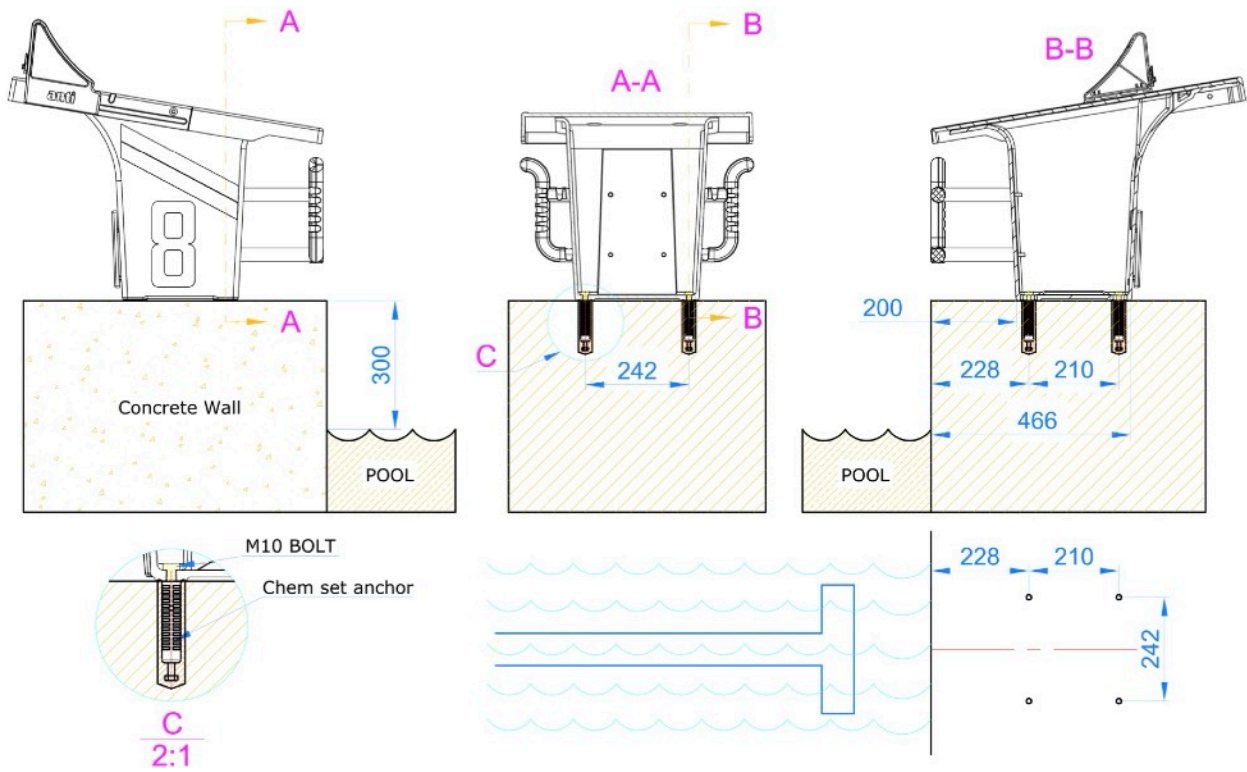
2/ Details of the Super Block 750:



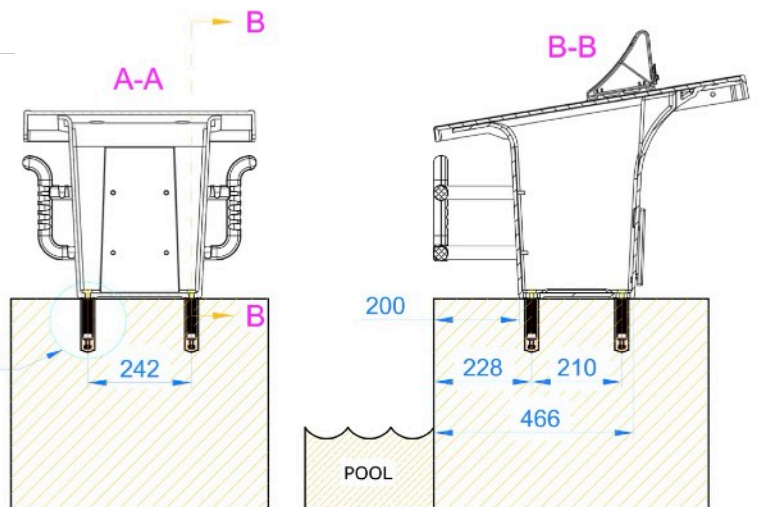
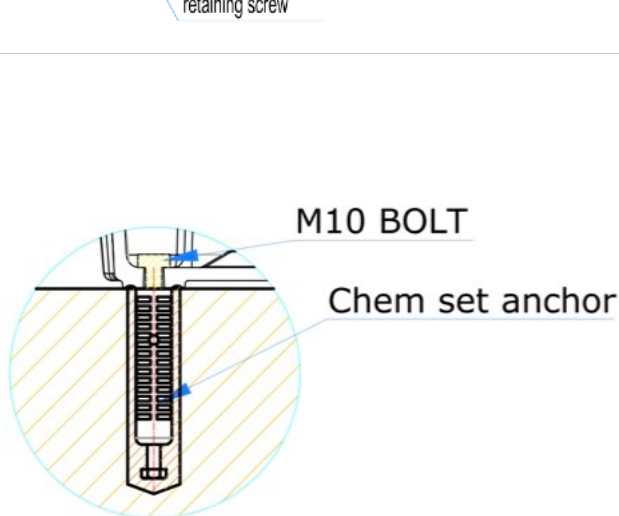
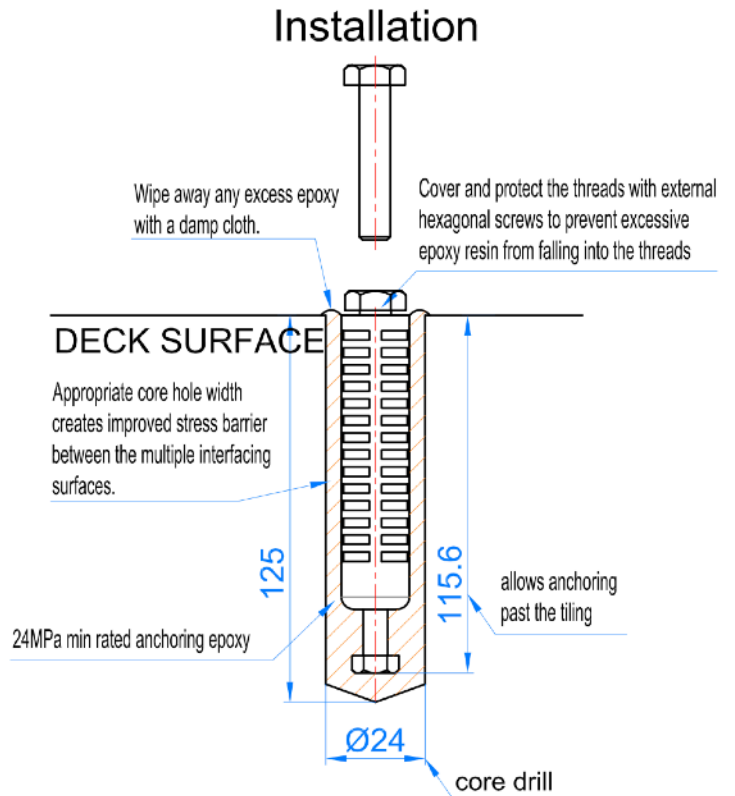
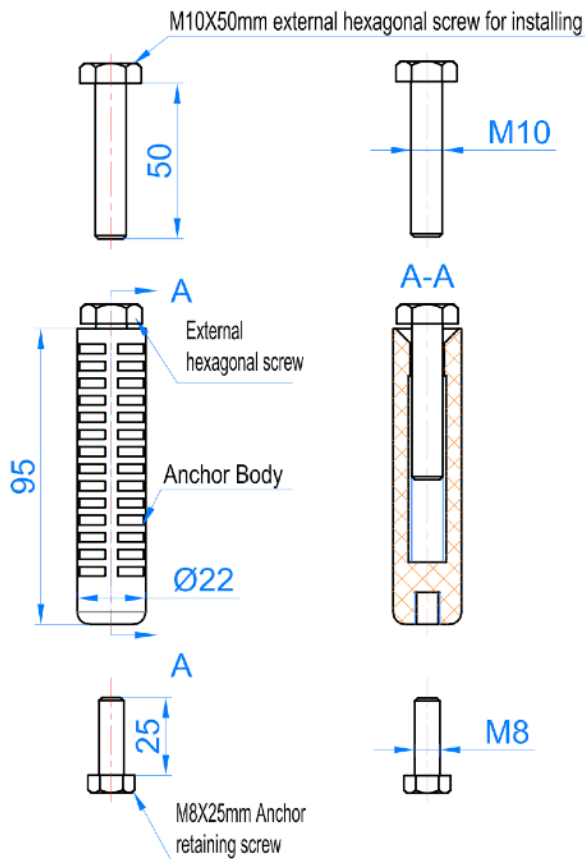
1. 3637-101 Starting Block Base
2. 3637-102 Starting Block Top Platform
3. 3637-103 Moveable Track Start Rear Wedge
4. 3637-104 Moveable Track Start Side Slides (1pc each side)
5. 3637-105 Starting Block Rear Inspection Door
6. 3637-106 Installation Hardware



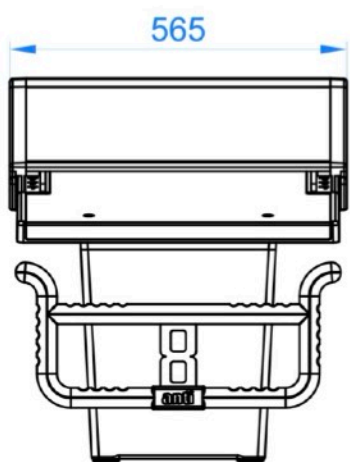
3/ Positioning and Fixing of the Starting Blocks:



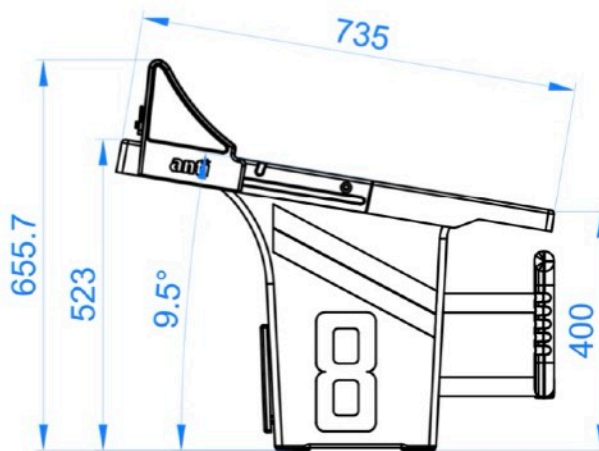
4/ ChemSet Anchor Details and Installation:



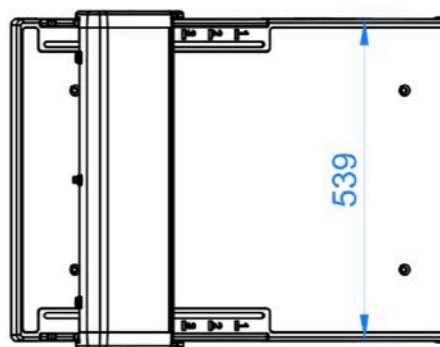
5/ Technical Characteristics of the SuperBlock 750:



Front view



Side view



Vertical view

6/ Adjustment of the Moveable TrackStart Rear Wedge:

The Moveable Track Start Rear Foot Wedge on the rear of the Block is adjustable to 5 Separate positions, each position is clearly indicated on the top rear of the Block.

Movement of the Wedge is carried out by gently lifting the rear of the Wedge, lifting it out of the locating mark in the sides of the block, and moving the position of the Ledge across the length of the block to the desired position for the swimmer.

Once the required position is located the TrackStart Wedge is then gently pushed back down into its seated position in the side slide locating marks.

It is important to check that there is no movement of the TrackStart Wedge along the length of the block once the position of the TrackStart Wedge moved, to ensure that the TrackStart Wedge is securely locked into position prior to use.



7/ Prevention and Maintenance

Equipment installed in an aquatic complex, often sealed with a high moisture level, require special attention in regards to their maintenance.

It is important to establish a maintenance program to avoid deterioration of the Blocks and all parts.

Dirt, grease and deposit left by users or by contaminated water must be removed from the Blocks by periodic cleaning with fresh water, do not use pool water. Excess water should be removed with a clean dry cloth.

Basic cleaning of the starting blocks surfaces should be carried out regularly, preferably every week, using clean fresh water. A mild organic based detergent may also be used if required, ensuring that all residue is cleaned off afterwards with fresh water.

If your equipment shows signs of significant dirt deposits these need to be removed, and a thorough clean with fresh water should be sufficient to achieve this task.

8/ Anti Wave Warranty:

Thank you for your purchase of Anti Wave equipment for your facility or pool.

Anti Wave warrants this product to be free of defects in material and workmanship under normal use, water chemistry, and service as follows one (1) year warranty on the product from the date of receipt of the items by the customer.

The manufacturer's liability for such warranty, including any consequential loss which a customer may suffer, shall be limited to the repair or replacement of the product by the manufacturer or the manufacturer's agent or representative.

This warranty shall not apply to any product which has been subject to misuse, alteration, addition, substitution, malicious damage, abuse, accident, neglect or damage caused by the use of the customer of any defective or faulty accessory product, or to damage caused by civil insurrection, fire storm water, tempest or other extreme environmental factors.

Product receipt as proof of purchase must be retained by the customer and presented to Anti Wave Global Pty Ltd upon request in order to claim this warranty, along with warranty claim details.

To the extent allowed by law, the customer releases Anti Wave Global Pty Ltd from all liability for any and all damages, of any kind or nature, in respect of personal injury or death or damage or loss of property of any person, including the customer, whether arising wholly or in part from the customer's acts, omissions, negligence, breach of duty, breach of contract, breach of this warranty or otherwise, and the entire risk arising out of the use of the Anti Wave products remains with the customer.

9/ Customer Notes:

Anti Wave Global Pty Ltd

Brisbane, Australia, 4067
Email: anton@anti.to
Web: www.anti.to
Phone: +61424 173 625